



IN-HOME FULL SERVICE LIMITED WARRANTY



BADGER® 5

This limited warranty is provided by InSinkErator®, a business unit of InSinkErator LLC, (“InSinkErator” or “Manufacturer” or “we” or “our” or “us”) to the original consumer owner of the InSinkErator product with which this limited warranty is provided (the “InSinkErator Product”), and any subsequent owner of the residence in which the InSinkErator Product was originally installed (“Customer” or “you” or “your”).

InSinkErator warrants to Customer that your InSinkErator Product will be free from defects in materials and workmanship, subject to the exclusions described below, for a period of **five (5) years** (the “Warranty Period”), commencing on the later of: (a) the date your InSinkErator Product is originally installed, (b) the date of purchase (or delivery if later), or (c) the date of manufacture as identified by your InSinkErator Product serial number. Documentation needed to support (a) or (b). If you are unable to provide documentation

supporting either (a) or (b), the Warranty Period commencement date will be determined by Manufacturer, in its sole and absolute discretion, based upon your InSinkErator Product serial number.

What is Covered

This limited warranty covers defects in materials or workmanship, subject to the exclusions below, in InSinkErator Products used by a consumer Customer for residential use only, and includes all replacement parts and labor costs. **YOUR SOLE AND EXCLUSIVE REMEDY UNDER THIS LIMITED WARRANTY SHALL BE LIMITED TO REPAIR OR REPLACEMENT OF THE INSINKERATOR PRODUCT, PROVIDED THAT IF WE DETERMINE IN OUR SOLE DISCRETION THAT NEITHER REMEDY IS PRACTICABLE, WE MAY PROVIDE YOU A REFUND OF YOUR PURCHASE PRICE OR A CREDIT TOWARDS ANOTHER INSINKERATOR PRODUCT.**

What is not Covered

This limited warranty does not extend to and expressly excludes:

- Losses or damages or the inability to operate your InSinkErator Product resulting from conditions beyond the Manufacturer’s control including, without limitation, accident, alteration, misuse, abuse, neglect, negligence (other than Manufacturer’s), failure to install, maintain, assemble, or mount the InSinkErator Product in accordance with Manufacturer’s instructions or local electrical and plumbing codes.
- Wear and tear expected to occur during the normal course of use, including without limitation, cosmetic rust, scratches, dents or comparable and reasonably expected losses or damages.

In addition to the above exclusions, this limited warranty does not apply to InSinkErator Products installed in a commercial or industrial application.

No Other Express Warranty Applies

This limited warranty is the sole and exclusive warranty provided to the Customer identified above. No other express warranty, written or verbal, applies. No employee, agent, dealer, or other person is authorized to alter this limited warranty or make any other warranty on behalf of Manufacturer. The terms of this limited warranty shall not be modified by the Manufacturer, the original owner, or their respective successors or assigns.

What we will do to Correct Problems

If your InSinkErator Product does not operate in accordance with the documentation provided to you, or you have questions concerning your InSinkErator Product or how to determine when service is needed, please call the toll free InSinkErator AnswerLine® at 1 (800) 558-5700, or visit our website at www.insinkerator.com. You may also notify us at: InSinkErator Service Center, 4700 21st Street, Racine, Wisconsin 53406 USA.

The following information must be provided as part of your warranty claim: your name, address, phone number, your InSinkErator Product model and serial number, and if necessary, upon request, written confirmation of either: (a) the date shown on your installation receipt, or (b) the date shown on your purchase receipt.

Manufacturer or its authorized service representative will determine, in its sole and absolute discretion, if your InSinkErator Product is covered under this limited warranty. You will be given the contact information for your closest authorized InSinkErator Service Center. Please contact your InSinkErator Service Center directly to receive in-home warranty repair or replacement service. Only an authorized InSinkErator service representative may provide warranty service. InSinkErator is not responsible for warranty claims arising from work performed on your InSinkErator Product by anyone other than an authorized InSinkErator service representative.

If a covered claim is made during the Warranty Period, Manufacturer will, through its authorized service representative, either repair or replace your InSinkErator Product. Cost of replacement parts or a new InSinkErator Product, and cost of labor for repair or installation of the replacement InSinkErator Product are provided at no cost to you. Repair or replacement shall be determined by Manufacturer or its authorized service representative in their sole discretion. All repair and replacement services will be provided to you at your home. If Manufacturer determines that your InSinkErator Product must be replaced rather than repaired, the limited warranty on the replacement InSinkErator Product will be limited to the unexpired term remaining in the original Warranty Period.

This disposer is covered by Manufacturer's limited warranty. This limited warranty is void if you attempt to repair the InSinkErator Product. For service information, please visit www.insinkerator.com or call, toll free, 1-800-558-5700.

Limitation of Liability

TO THE EXTENT PERMITTED BY LAW, IN NO EVENT SHALL MANUFACTURER OR ITS AUTHORIZED SERVICE REPRESENTATIVES BE LIABLE FOR ANY INCIDENTAL, SPECIAL, INDIRECT, OR CONSEQUENTIAL DAMAGES, INCLUDING ANY ECONOMIC LOSS, WHETHER RESULTING FROM NONPERFORMANCE, USE, MISUSE OR INABILITY TO USE THE INSINKERATOR PRODUCT OR THE MANUFACTURER'S OR ITS AUTHORIZED SERVICE REPRESENTATIVE'S NEGLIGENCE. MANUFACTURER SHALL NOT BE LIABLE FOR DAMAGES CAUSED BY DELAY IN PERFORMANCE AND IN NO EVENT, REGARDLESS OF THE FORM OF THE CLAIM OR CAUSE OF ACTION (WHETHER BASED IN CONTRACT, INFRINGEMENT, NEGLIGENCE, STRICT LIABILITY, OTHER TORT OR OTHERWISE), SHALL MANUFACTURER'S LIABILITY TO YOU EXCEED THE PRICE PAID BY THE ORIGINAL OWNER FOR THE INSINKERATOR PRODUCT.

The term "consequential" damages shall include, but not be limited to, loss of anticipated profits, business interruption, loss of use or revenue, cost of capital or loss or damage to property or equipment.

Some states do not allow the exclusion or limitation of incidental or consequential damages, so the above limitation may not apply to you. This limited warranty gives you specific legal rights and you may also have other rights which vary from state to state.



**Badger® 1, Badger® 1XL,
Badger® 100, Badger® 5,
Badger® 5XL, Badger® 500,
Badger 5XP®, Badger® 7XL,
Badger® 700**

1-800-558-5700

®Registered trademark/TM Trademark of InSinkErator
© 2025 All rights reserved.

®Marca registrada/TM Marca comercial de InSinkErator,
© 2025 Todos los derechos reservados.

®Marque déposée/TM Marque de commerce de InSinkErator
©2025. Tous droits réservés.

⚠ DANGER indicates a hazardous situation which, if not avoided, will result in death or serious injury.

⚠ WARNING indicates a hazardous situation which, if not avoided, could result in death or serious injury.

⚠ CAUTION indicates a hazardous situation which, if not avoided, could result in minor or moderate injury.

NOTICE is used to address practices not related to personal injury.

SAFETY INSTRUCTIONS (or equivalent) signs indicate specific safety-related instructions or procedures.

⚠ PELIGRO peligrosa que, si no se evita, provocará lesiones graves o incluso la muerte.

⚠ ADVERTENCIA indica una situación riesgosa, la cual, si no se evita, puede ocasionar lesiones graves o incluso la muerte.

⚠ PRECAUCIÓN indica una situación riesgosa, la cual, si no se evita, puede provocar heridas leves o moderadas.

AVISO hace referencia a prácticas que no presentan riesgos de generar lesiones personales.

INSTRUCCIONES PARA SU SEGURIDAD (o equivalentes son señales que designan instrucciones o procedimientos específicos de seguridad.

⚠ DANGER indique une situation dangereuse qui, si elle n'est pas évitée, entraînera la mort ou une blessure grave.

⚠ AVERTISSEMENT indique une situation dangereuse qui, si elle n'est pas évitée, pourrait entraîner la mort ou une blessure grave.

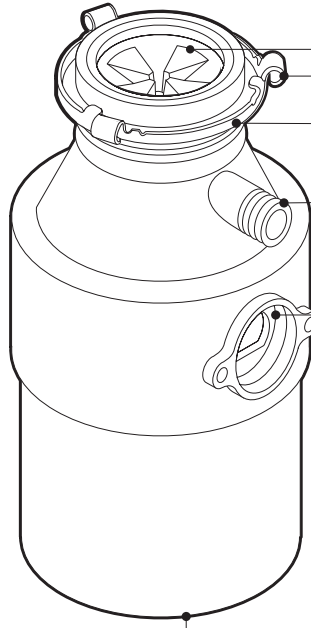
⚠ MISE EN GARDE indique une situation dangereuse qui, si elle n'est pas évitée, pourrait entraîner une blessure mineure ou modérée.

AVIS est utilisé pour décrire des pratiques qui ne sont pas liées à des blessures.

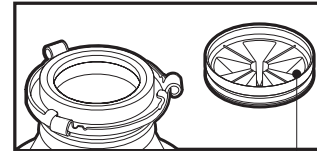
DIRECTIVES DE SÉCURITÉ (ou l'équivalent) ces panneaux indiquent des directives ou des procédures concernant spécifiquement la sécurité.

Includes/Incluye/Comprend

- A** Stopper
Tapón
Bouchon
- B** Sink Flange
Brida del fregadero
Collect d'évier
- C** Fiber Gasket
Junta de fibra
Joint fibreux
- D** Backup Flange
Brida de apoyo
Bride de retenue
- E** Mounting Ring
Anillo de montaje
Anneau de montage
- F** Screws
Tornillos
Vis
- G** Snap Ring
Anillo de cierre
Anneau élastique
- H** Wrenchette
Llave pequeña
Petite clé



- I** Disposer
Triturador
Broyeur
- J** Discharge Tube
Tubo de descarga
Tuyau de vidange
- K** Gasket
Reborde
Garniture



- N** Removable Sink Baffle
Deflector de fregadero removible
Écran d'évier amovible
OR/O BIEN/OU
Pleated Mounting Gasket
(on some models)
Junta de montaje plegada
(en algunos modelos)
Joint de montage plissé
(sur certains modèles)

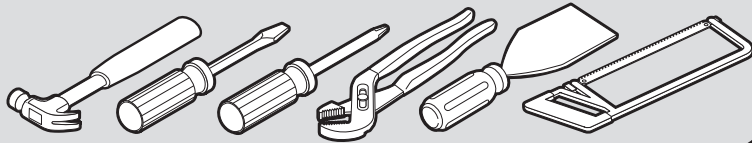
- Lower Mounting Ring
Anillo de montaje inferior
Anneau de montage inférieur
Mount
Montaje
Support
Dishwasher Inlet
Entrada del lavaolatos
Prise d'eau du lave-vaisselle
Tailpipe
Tubo de descarga
Tuyau de décharge

- L** Flange
Brida
Bride
- M** Bolts
Pernos
Boulons

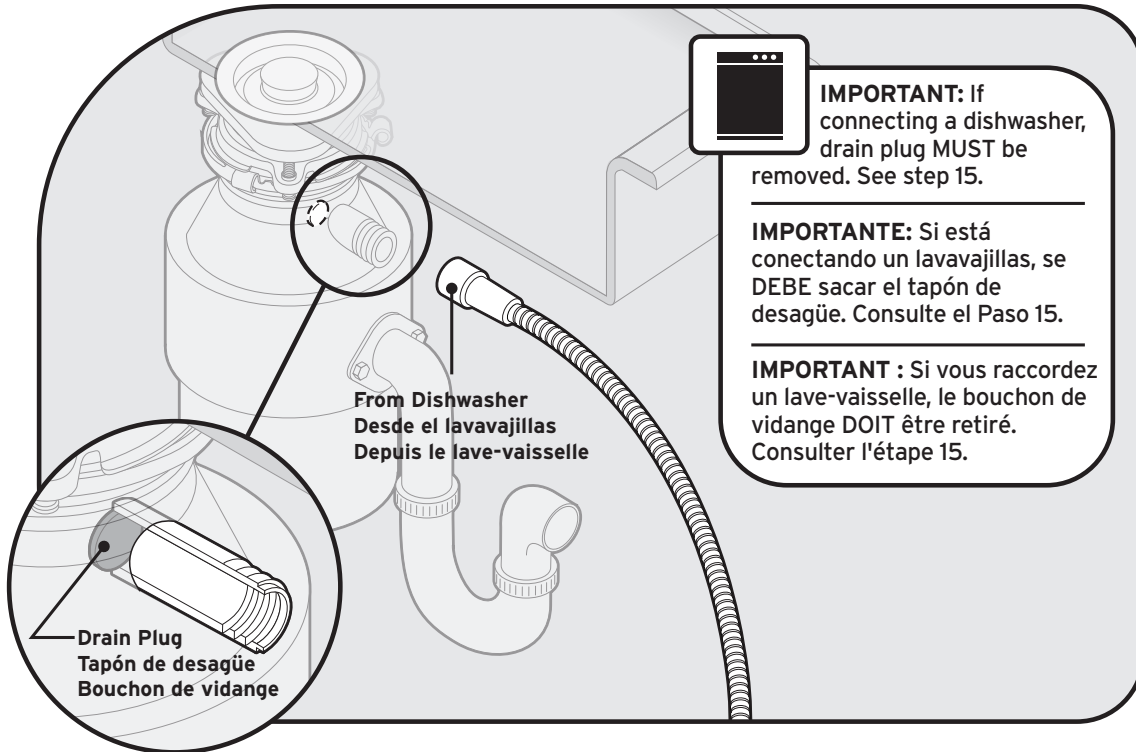
Tools and Materials/Herramientas y materiales/Outils et pièces

Not Included/No incluidos/Non compris

- Cable Connector
Conector para cable
Connecteur de câble
- Wire Nuts
Tuercas para cables
Serre-fils
- Plumber's putty
Masilla de plomería
Mastic de plomberie



Before You Begin/Antes de comenzar/Avant de commencer



IMPORTANT: If connecting a dishwasher, drain plug **MUST** be removed. See step 15.

IMPORTANTE: Si está conectando un lavavajillas, se **DEBE** sacar el tapón de desagüe. Consulte el Paso 15.

IMPORTANT : Si vous raccordez un lave-vaisselle, le bouchon de vidange **DOIT** être retiré. Consulter l'étape 15.

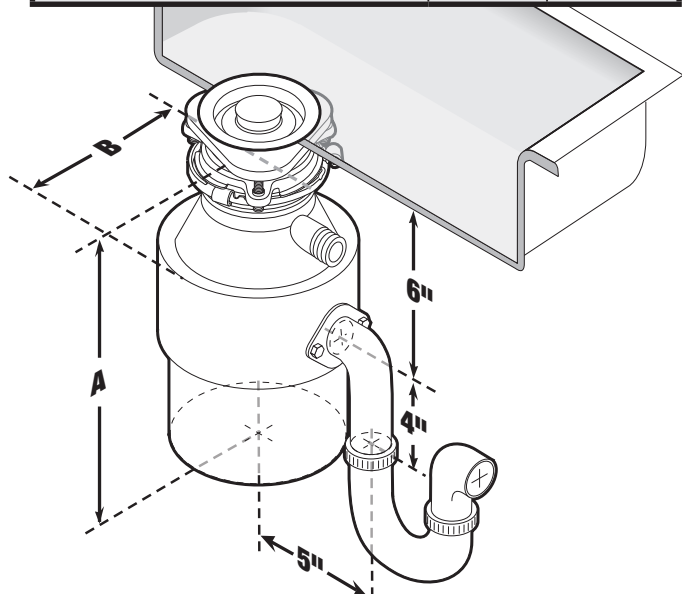
! WARNING/ADVERTENCIA/AVERTISSEMENT

Read these instructions thoroughly. Failure to follow the Installation, Operating and User-Maintenance Instructions may result in personal injury or property damage.

Lea estas instrucciones con atención. Si no sigue las instrucciones de mantenimiento para el usuario, de funcionamiento y de instalación puede provocar lesiones personales o daños materiales.

Lisez ces instructions attentivement. Le non-respect des instructions d'installation, d'utilisation et d'entretien par l'utilisateur peut entraîner des blessures et des dommages matériels.

MODEL/ MODELO/MODÈLE	A	B
Badger® 1, Badger® 1XL, Badger® 100, Badger® 5, Badger® 5XL, Badger® 500	11-1/2"	6-5/16"
Badger 5XP®, Badger® 7XL, Badger® 700	12-5/8"	6-5/16"



Dimensions/Dimensiones/Dimensions

Remove existing disposer/Retire el triturador anterior/Enlever l'ancien broyeur



WARNING/ADVERTENCIA/ AVERTISSEMENT

SHOCK HAZARD

Turn off electric power at circuit breaker or fuse box.

PELIGRO DE DESCARGA ELÉCTRICA

Desconecte la energía eléctrica en la caja principal de fusibles o del disyuntor.

DANGER D'ÉLECTROCUTION

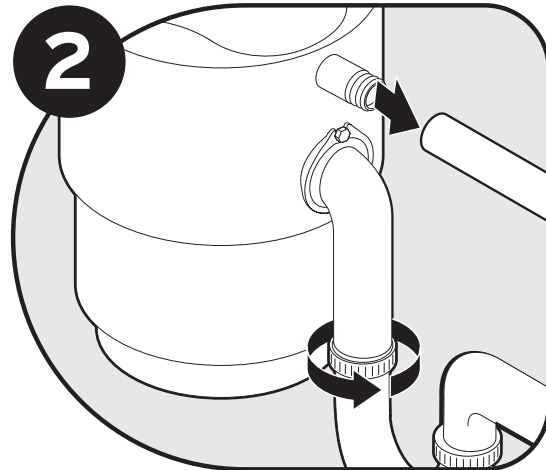
Couper l'alimentation au tableau de distribution (retirer le fusible ou actionner le disjoncteur).

1

If you are replacing an existing disposer, continue to Step 2.
If there is no existing disposer, disconnect sink drain and skip to Step 9.

Si tiene que reemplazar un triturador existente, continúe con el Paso 2. Si no existe un triturador, desconecte el desagüe del fregadero y continúe con el Paso 9.

En cas de remplacement d'un broyeur existant, passer à l'étape 2. Dans le cas contraire, déconnecter le drain de l'évier et passer à l'étape 9.



Turn off electrical power at circuit breaker or fuse box. Disconnect drain trap from waste discharge tube. Disconnect dishwasher if connected to the disposer.

Desconecte la energía eléctrica en la caja principal de fusibles o del disyuntor. Desconecte la trampa de desagüe del tubo de descarga de desperdicios. Desconecte el lavaplatos si está conectado al triturador.

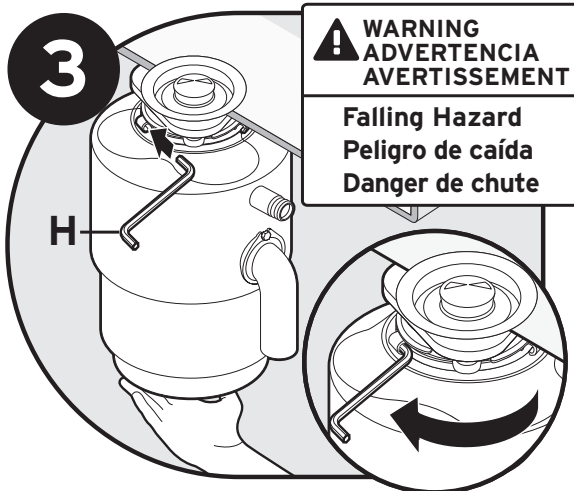
Couper l'alimentation au tableau de distribution (retirer le fusible ou actionner le disjoncteur). Déconnecter le robinet de vidange du tube de vidange. Déconnecter le lave-vaisselle s'il est connecté au broyeur.

3



WARNING ADVERTENCIA AVERTISSEMENT

Falling Hazard
Peligro de caída
Danger de chute

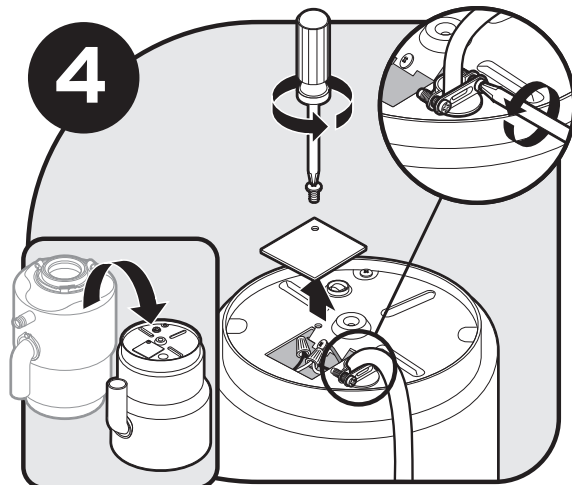


Support disposer, insert end of wrench (H) into right side of mounting lug, and turn. Disposer will fall free.

Sostenga el triturador, inserte el extremo de la llave (H) en el lado derecho de la aleta de montaje y gírela. El triturador se liberará.

Soutenir le broyeur, insérer l'extrémité de la petite clé (H) dans le côté droit de la patte de fixation et tourner. Le broyeur chutera librement en place.

4

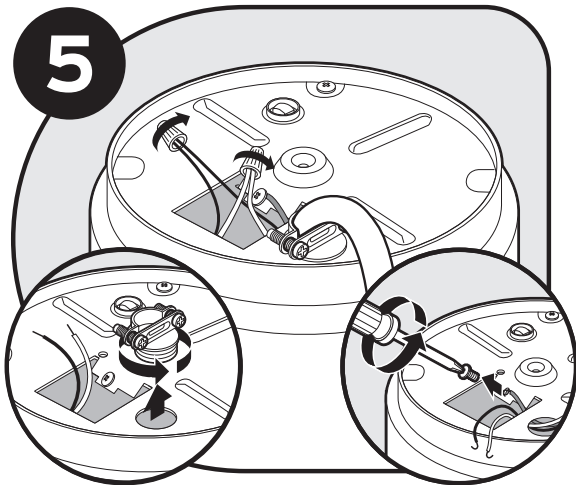


Flip disposer over and remove electrical cover plate. Save cable connector if applicable.

Dé vuelta el triturador y retire la placa de protección eléctrica. Guarde el conector del cable si corresponde.

Renverser le broyeur et retirer la plaque électrique. Conserver le connecteur de câble s'il y a lieu.

Remove existing disposer/Retire el triturador anterior/Enlever l'ancien broyeur



Disconnect the disposer wires from the electrical supply.

Desconecte del suministro eléctrico los cables del triturador.

Débrancher les fils du broyeur de l'alimentation électrique.

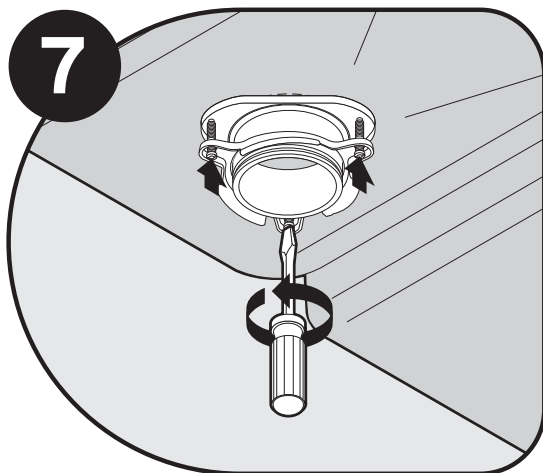
6 Is the new disposer mounting the same as the old one?
If YES, you may choose to skip to step 15.
If NO, continue to step 7.

¿El montaje del triturador nuevo es el mismo que el del viejo?

Si la respuesta es SÍ, continúe en el paso 15.
Si la respuesta es NO, continúe en el paso 7.

Est-ce que le montage du nouveau broyeur est le même que celui de l'ancien?

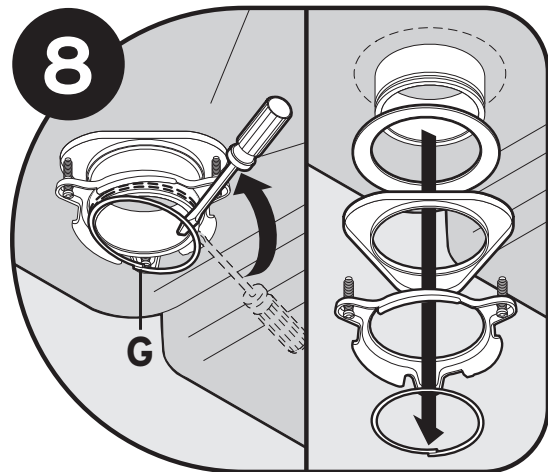
Si OUI, passer à l'étape 15.
Si NON, passer à l'étape 7.



Using a flathead screwdriver, loosen the 3 screws on the mounting assembly.

Con un destornillador de punta plana, afloje los 3 tornillos del conjunto de montaje.

Au moyen d'un tournevis à tête plate, desserrer les trois vis du montage de base.

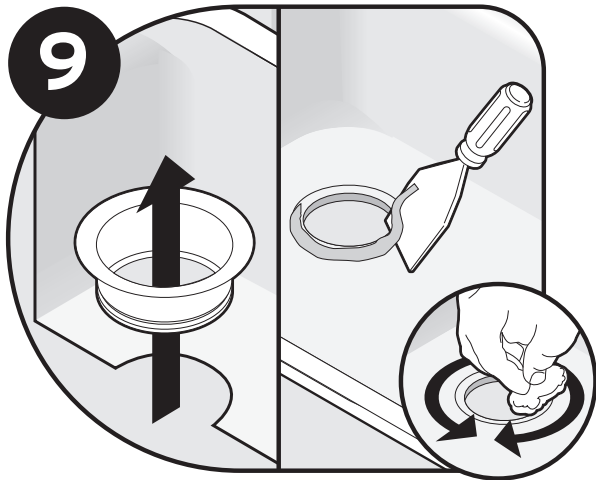


Using a flathead screwdriver, pry off the snap ring (G).

Con un destornillador de punta plana, saque el anillo de cierre (G).

Au moyen d'un tournevis à tête plate, retirer l'anneau élastique (G).

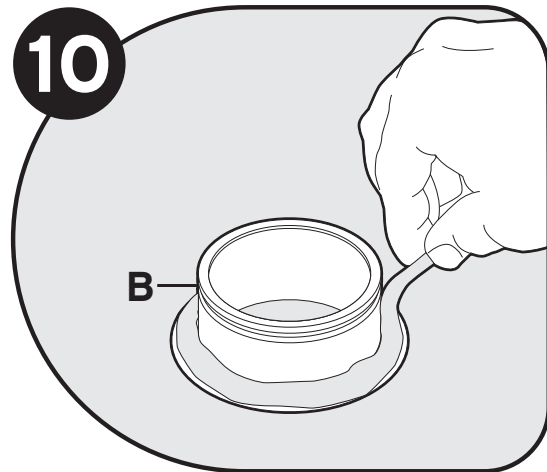
Install flange in sink hole/Instale la brida en el orificio del fregadero/ Installer le collet dans le trou de l'évier



Remove flange from sink. Remove old plumber's putty from sink with putty knife.

Retire la brida del fregadero. Retire la masilla de plomería vieja del fregadero con una espátula para masilla.

Retirer le collet de l'évier. Enlever le mastic de plomberie usagé au moyen d'un couteau à mastic.



Evenly apply 1/2" thick rope of plumber's putty around sink flange (B).

Aplice una tira gruesa de masilla de plomería, de 1/2" (1.3 cm), en forma uniforme alrededor de la brida (B).

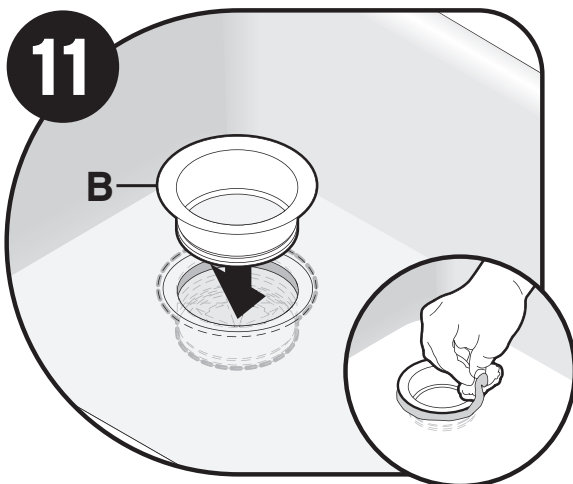
Appliquer uniformément un cordon de mastic de plomberie de 1/2" (1,3 cm) d'épaisseur autour du collet (B).

NOTICE/AVISO/AVIS

Property Damage: Risk of long/short term water leakage if not properly assembled.

Daño a la propiedad: Si no se coloca de la manera adecuada existe riesgo de filtración de agua a corto o largo plazo.

Dommages matériels : Un assemblage incorrect peut entraîner un risque de fuite d'eau à court ou à long terme.

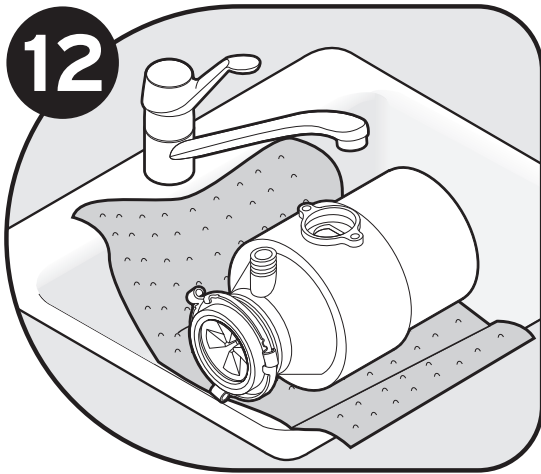


Press sink flange (B) firmly into sink drain. Remove excess putty.

Presione la brida (B) firmemente en el desagüe del fregadero. Retire la masilla sobrante.

Enfoncer le collet (B) fermement dans le drain de l'évier. Enlever l'excès de mastic.

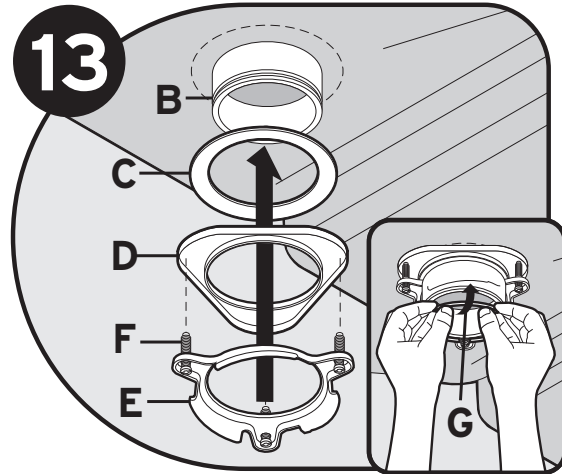
Attach upper mounting assembly/Conecte el conjunto de montaje superior/ Fixer le montage de base supérieur



Place a weight, such as the disposer, on the sink flange to hold it in place. Use a towel to avoid scratching sink.

Coloque un peso, por ejemplo el triturador, sobre la brida del fregadero para mantenerla en su lugar. Utilice una toalla para evitar que se raye el fregadero.

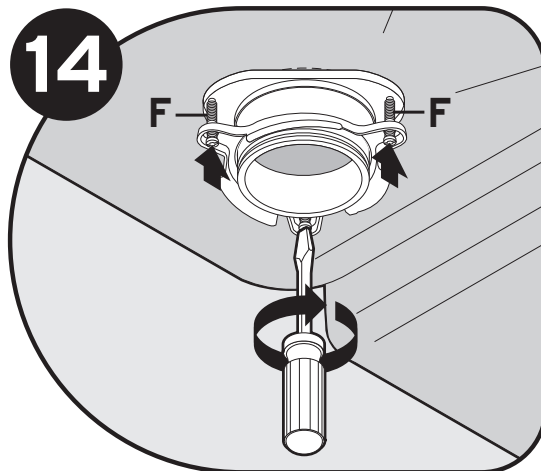
Placer un poids tel que le broyeur sur le collet de l'évier pour le maintenir en place. Utiliser une serviette pour éviter de rayer l'évier.



Insert fiber gasket (C), backup flange (D) and mounting ring (E). Hold in place while inserting snap ring (G). Pull snap ring (G) open and press firmly until it snaps into place.

Insérte la junta de fibra (C), la brida de soporte (D) y el anillo de montaje (E). Sosténgalos en su lugar mientras inserta el anillo de cierre (G). Abra el anillo de cierre (G) y presione firmemente hasta que se coloque en el lugar.

Insérer le joint fibreux (C), la bride de retenue (D) et l'anneau de montage (E). Tenir le tout en place pendant l'insertion du l'anneau élastique (G). Ouvrir l'anneau élastique (G) et appuyer fermement jusqu'à ce qu'il s'enclenche.



Tighten 3 mounting screws (F) evenly and firmly against backup flange.

Ajuste los 3 tornillos de montaje (F) en forma uniforme y firme contra la brida de soporte.

Serrer les trois vis de montage (F) uniformément et fermement contre la bride de retenue.

Attach upper mounting assembly/Conecte el conjunto de montaje superior/ Fixer le montage de base supérieur

STOP! If connecting a dishwasher, remove drain plug in step 15.

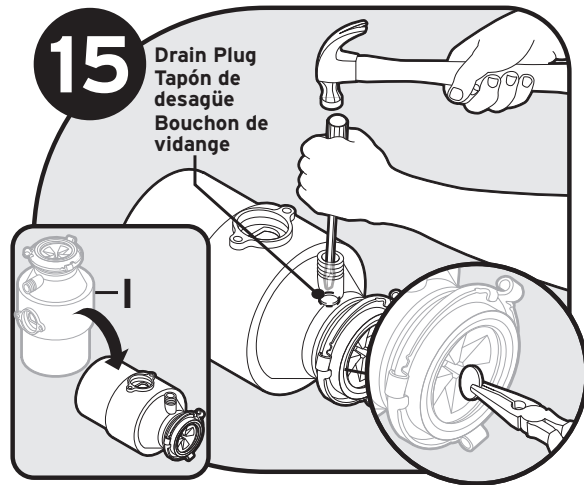
¡PARE! Si está conectando un lavavajillas, saque el tapón de desagüe como se indica en el paso 15.

ARRÊTEZ! Si vous raccordez un lave-vaisselle, retirez le bouchon de vidange à l'étape 15.

If NOT connecting a dishwasher, continue to step 16.

Si no está conectando un lavavajillas, continúe con el paso 16.

Si vous ne raccordez pas un lave-vaisselle, continuez à l'étape 16.



NOTICE: Drain plug cannot be replaced once it is knocked out. Turn disposer (J) onto side and knock out drain plug with screwdriver. Remove plug from inside of disposer with pliers.

AVISO: El tapón de drenaje no se puede colocar de nuevo una vez que se ha quitado. Dé vuelta el triturador (J) para un costado y golpee el tapón del desagüe con un destornillador para extraerlo. Retire el tapón del interior del triturador con pinzas.

AVIS : Le bouchon de vidange ne peut être remis en place une fois qu'il est retiré. Déposer le broyeur (J) sur le côté et enlever le bouchon du drain avec un tournevis. Retirer le tampon de l'intérieur du broyeur avec des pinces.

IMPORTANT: Dishwasher connection only

IMPORTANTE: Sólo para la conexión del lavavajillas

IMPORTANT : Connexion du lave-vaisselle seulement

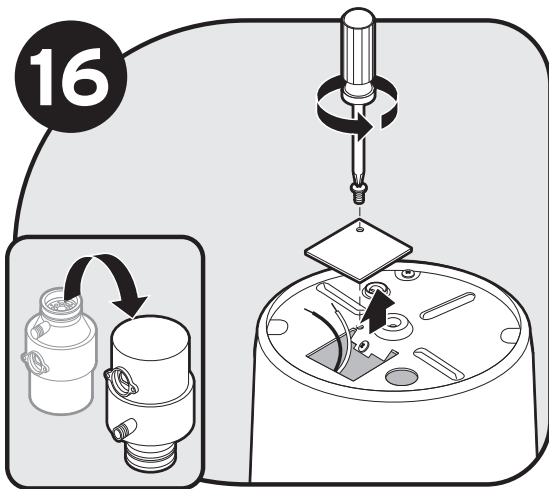
NOTICE/AVISO/AVIS

If the dishwasher connection is made without removing the plug, the dishwasher may overflow.

Si conecta el lavavajillas sin retirar la tapa ciega, el lavavajillas puede rebalsarse.

Si le raccordement du lave-vaisselle est effectué sans que le bouchon ne soit retiré, le lave-vaisselle peut déborder.

Connect disposer to electrical supply/Conecte el triturador al suministro eléctrico/Raccorder le broyeur à l'alimentation électrique



Turn disposer over and remove electrical cover plate. Pull out wires.

Dé vuelta el triturador y retire la placa protectora eléctrica. Saque los cables.

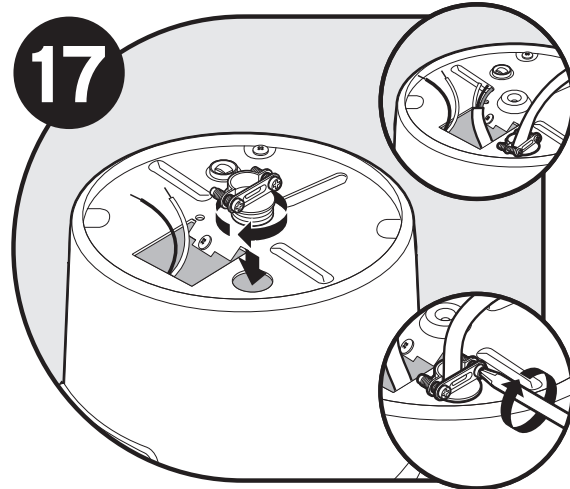
Renverser le broyeur et enlever la plaque électrique. Extraire les fils électriques.

NOTICE/AVISO/AVIS

Property Damage: Do not remove or displace motor compartment insulation shield.

Daño a la propiedad: No retire o desplace la protección aislante del compartimento del motor.

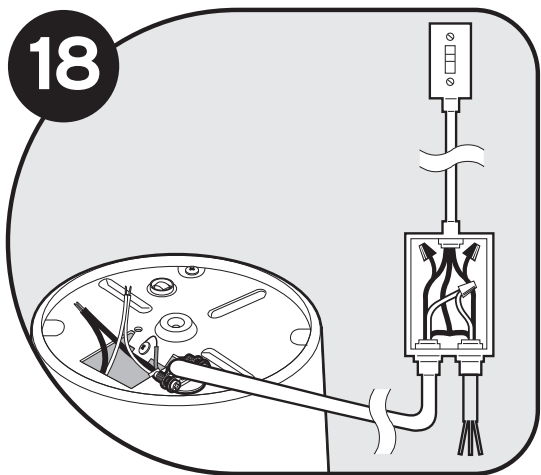
Dommages matériels : Ne pas enlever ni déplacer l'écran d'isolation du compartiment moteur.



Insert cable connector (not included) and run electrical cable through access hole on bottom of disposer. Tighten cable connector.

Introduzca el conector del cable (no incluido) y pase el cable eléctrico a través del orificio de acceso en la parte inferior del triturador. Ajuste el conector del cable.

Insérer le connecteur de câble (non compris) et faire passer le câble électrique par le trou d'accès qui se trouve au fond du broyeur. Serrer le connecteur de câble.

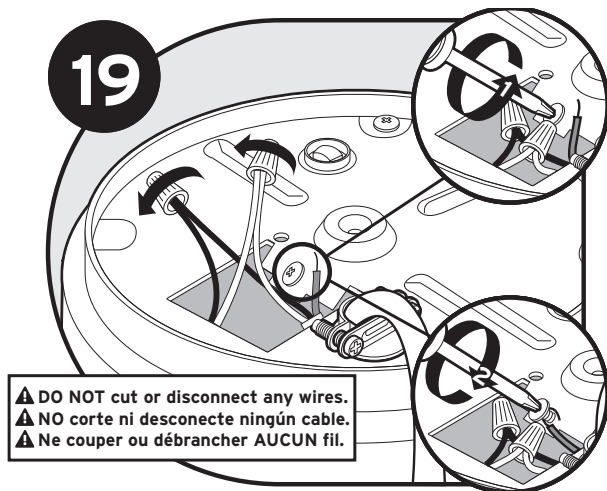


This disposer requires a switch with a marked "Off" position (wired to disconnect all ungrounded supply conductors) installed within sight of the disposer sink opening (1 hp minimum rating).

Este triturador requiere un interruptor que tenga la posición "Off" marcada (cableado de modo de desconectar todos los conductores de suministro no conectados a tierra) e instalado no muy lejos de la abertura del fregadero para el triturador (capacidad mínima de 1 hp).

Ce broyeur doit être équipé d'un interrupteur sur lequel la position d'arrêt (Off) est indiquée (pour débrancher tous les conducteurs d'alimentation non mis à la terre) et installé à la vue du trou d'évier du broyeur (puissance minimale de 1 HP).

Connect disposer to electrical supply/Conecte el triturador al suministro eléctrico/Raccorder le broyeur à l'alimentation électrique



⚠ DO NOT cut or disconnect any wires.
⚠ NO corte ni desconecte ningún cable.
⚠ Ne couper ou débrancher AUCUN fil.

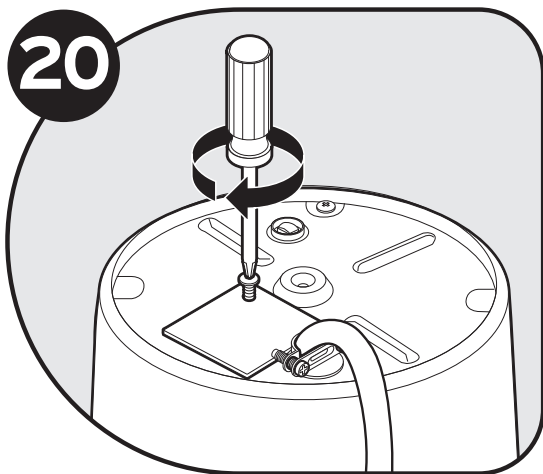
⚠ WARNING/ADVERTENCIA/AVERTISSEMENT

Improper grounding can result in electric shock hazard.
 La conexión incorrecta a tierra puede representar un riesgo de descarga eléctrica.
 Une mise à la terre inefficace peut entraîner un risque de choc électrique.

Connect white wire from disposer to neutral (white) wire from power source. Connect black wire from disposer to hot (black, red) wire from power source with wire nuts (not included). Connect ground wire to green grounding screw. Unit must be grounded for safe and proper installation.

Conecte el cable blanco del triturador al cable neutro (blanco) de la fuente de energía, y el cable negro del triturador al cable vivo (negro, rojo) de la fuente de energía, use para ello tuercas para cable (no incluidas); finalmente, una el cable de conexión a tierra con el tornillo verde conectado a tierra. La unidad debe estar conectada a tierra para una instalación segura y adecuada.

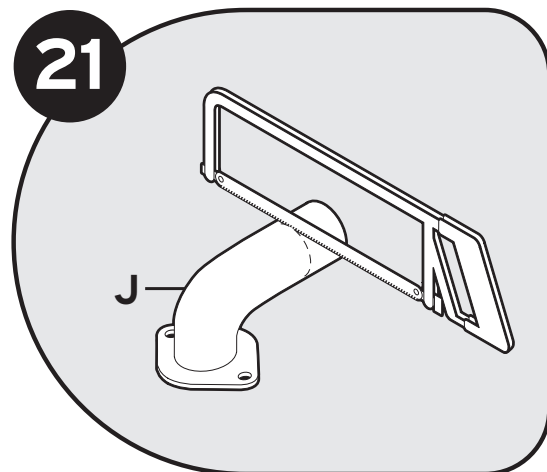
Raccordez le fil blanc du broyeur au fil neutre (blanc) de la source d'alimentation et le fil noir du broyeur au fil sous tension (noir ou rouge) de la source d'alimentation au moyen de serre-fils (non inclus); mettez le fil à la terre au moyen de la vis verte de mise à la terre. L'unité doit être mise à la terre pour assurer une installation adéquate et sûre.



Push wires into disposer and replace electrical cover plate.

Coloque los cables dentro del triturador y vuelva a colocar la placa protectora eléctrica.

Pousser les fils dans le broyeur et replacer la plaque électrique.



You may need to trim discharge tube (J) to ensure proper fit.

Es posible que deba recortar el tubo de descarga (J) para asegurarse de que quede bien colocado.

Vous devrez peut-être ajuster le tuyau de vidange (J) pour qu'il s'adapte correctement.

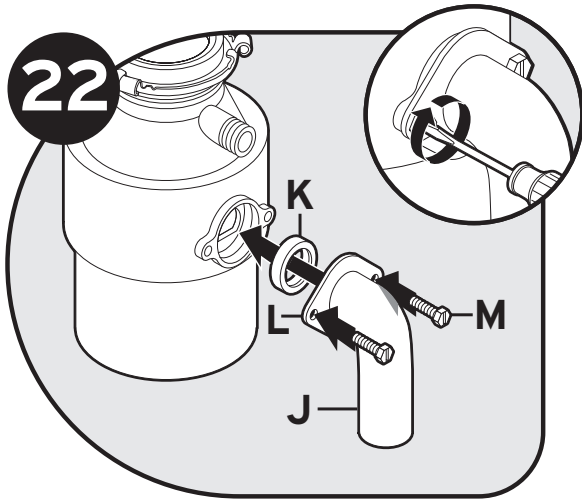
NOTICE/AVISO/AVIS

Property Damage Risk: Do not remove or displace motor compartment insulation shield.

Daño a la propiedad: No retire o desplace la protección aislante del compartimento del motor.

Dommages matériels : Ne pas enlever ni déplacer l'écran d'isolation du compartiment moteur.

Connect disposer to electrical supply/Conecte el triturador al suministro eléctrico/Raccorder le broyeur à l'alimentation électrique



Slide flange (L) over discharge tube (J). Insert gasket (K) into discharge outlet. Secure flange and discharge tube to disposer with two bolts (M). Although the supplied discharge tube is preferred, a straight discharge tube may be used.

Deslice la brida (L) sobre el tubo de descarga (J). Introduzca la junta (K) en la salida de descarga. Fije con dos pernos (M) la brida y el tubo de descarga al triturador. Aunque se recomienda utilizar el tubo de descarga incluido con la unidad, puede usar un tubo de descarga recto.

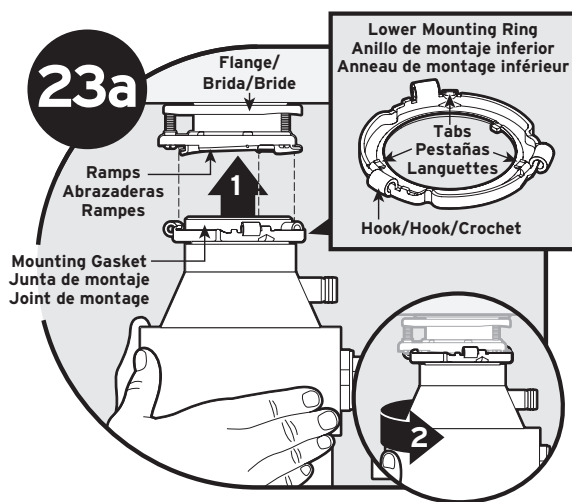
Glisser le collet (L) sur le tuyau de vidange (J). Insérer le joint (K) dans l'orifice d'évacuation. À l'aide des deux boulons (M), fixer le collet et le tuyau de vidange au broyeur. Même s'il est préférable d'utiliser le tuyau de vidange fourni, un tuyau de vidange droit peut être utilisé.

Connect disposer to mounting assembly with Lift & Latch®/Conecte el triturador al conjunto de montaje con Lift & Latch™/Connectez le broyeur à l'ensemble de montage à l'aide du système Lift & Latch^{MC}

NOTE BEFORE INSTALLING THE DISPOSAL: Lift & Latch Technology features a lower mounting ring that is fixed with a tab; the lower mounting ring will not turn freely on the disposal. (This is intentional for ease of installation and lifting the disposal with two hands). **Tip:** Review how the lower mounting ring tabs interact with the ramps on the bottom of the flange prior to install.

Antes de instalar el triturador, tenga en cuenta lo siguiente: La tecnología Lift & Latch tiene un anillo de montaje inferior que se fija con una pestaña que no gira libremente en el triturador. (Esto es para facilitar la instalación y levantar el triturador con dos manos. **Consejo:** Antes de instalarlo, examine cómo las pestañas del anillo de montaje inferior interactúan con las rampas de la parte inferior de la brida.

À noter avant d'installer le broyeur : La technologie Lift & Latch comporte un anneau de montage inférieur fixé à l'aide d'une patte qui ne tourne pas librement sur le broyeur. (Cette caractéristique est intentionnelle pour faciliter l'installation et permettre de soulever le broyeur à deux mains.) **Conseil :** avant l'installation, vérifiez l'interaction entre les pattes de l'anneau de montage inférieur et les rampes situées au bas de la bride.



- 1** Lift the disposal to align with flange. Ensure all three (3) mounting tabs on the lower mounting ring are aligned with the lowest part of the three (3) ramps on the flange. Slightly push/compress the mounting gasket against the flange and turn the disposal to the right to slide up the ramps. Verify all three tabs are engaged on the flange ramps.
- 2** Once the lower mounting ring is secure on the flange ramps, the disposal will rotate freely. Rotate the disposal to the right and align with plumbing. **Caution:** Do not turn the disposal to the left as it could fall off the flange ramps.

- 1** Levante el triturador para alinearlo con la brida. Asegúrese de que las tres (3) pestañas de montaje del anillo de montaje inferior estén alineadas con la parte más baja de las tres (3) rampas de la brida. Empuje o comprima levemente la junta de montaje contra la brida y gire el triturador hacia la derecha para que se deslice hacia arriba por las rampas. Compruebe que las tres (3) pestañas queden firmes en las rampas de la brida.
- 2** Una vez que el anillo de montaje inferior esté fijado en las rampas de la brida, el triturador girará libremente. Gire el triturador hacia la derecha y alinéelo con las tuberías. **Precaución:** No gire el triturador hacia la izquierda porque podría salirse de las rampas de la brida.

- 1** Soulevez le broyeur pour l'aligner sur la bride. Assurez-vous que les trois (3) pattes de montage de l'anneau de montage inférieur sont alignées avec la partie la plus basse des trois (3) rampes de la bride. Poussez/comprimez légèrement le joint de montage contre la bride et tournez le broyeur vers la droite pour le faire glisser vers le haut des rampes. Assurez-vous que les trois (3) pattes sont bien fixées sur les rampes de la bride.
- 2** Une fois que l'anneau de montage inférieur est fixé sur les rampes de la bride, le broyeur tourne librement. Tournez le broyeur vers la droite et alignez-le avec la tuyauterie. **Avvertissement :** ne tournez pas le broyeur vers la gauche, car il pourrait tomber des rampes de la bride.

⚠ WARNING/ADVERTENCIA/AVERTISSEMENT

Do not position your head or body under disposer; unit could fall during removal or installation.

Lesiones personales: No coloque la cabeza ni el cuerpo debajo del triturador, ya que la unidad podría caerse mientras lo retira o instala.

Ne pas placer la tête ou le corps sous le broyeur de déchets, l'unité pourrait tomber pendant le retrait ou l'installation.

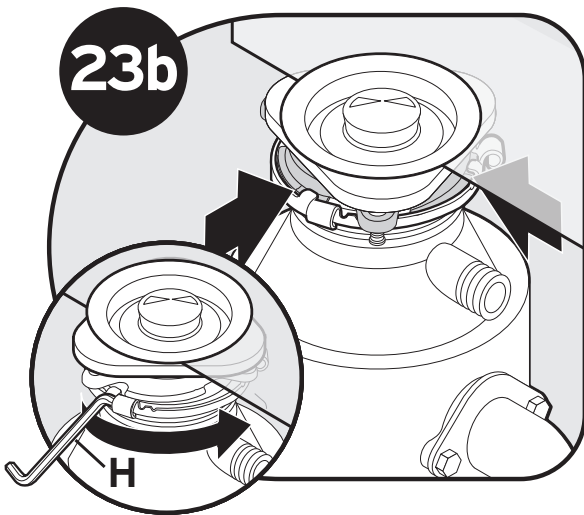
⚠ CAUTION/PRECAUCIÓN/ MISE EN GARDE

To avoid leaks and/or potential falling hazard, make sure all 3 mounting tabs are latched over ridges.

Para evitar pérdidas o el peligro de una posible caída, asegúrese de que las tres lengüetas de montaje estén enganchadas en las crestas.

Pour éviter les fuites et les risques de chute potentiels, assurez-vous que les 3 languettes de montage sont verrouillées sur les arêtes.

Connect disposer to mounting assembly with Lift & Latch[®]/Conecte el triturador al conjunto de montaje con Lift & Latch[™]/Connectez le broyeur à l'ensemble de montage à l'aide du système Lift & Latch^{MC}



Lock the flange in place by using the wrenchette (H) for leverage. Insert the wrenchette in one of the hooks on the lower mounting ring and turn right until all three tabs are over the ridges on the high side of the ramps.

Tip: Pliers (not included) can also be used to help secure the disposer on the ramps by clasping one end on a hook and the other end on one of the three lobes of the flange.

Inmovilice el cuerpo de la brida insertando la pequeña llave (úsela como palanca) en uno de los ganchos del anillo de montaje inferior y gire hacia la derecha hasta que las tres pestañas hayan pasado las crestas en la parte superior de las rampas.

Consejo: Use una pinza (no se incluye) para asegurar el triturador en las rampas cerrando un extremo en un gancho y el otro extremo en la parte superior de la rampa, y ajuste fuerte.

Verrouillez la bride du corps en place en insérant la clé à molette fournie (à utiliser comme levier) dans l'un des crochets de l'anneau de montage inférieur et tournez vers la droite jusqu'à ce que les trois ongles soient au-dessus des rebords situés sur le côté haut des rampes.

Conseil : Utilisez une pince (non fournie) pour fixer le broyeur sur les rampes en accrochant une extrémité à un crochet et l'autre à la partie supérieure de la rampe et en serrant fermement.

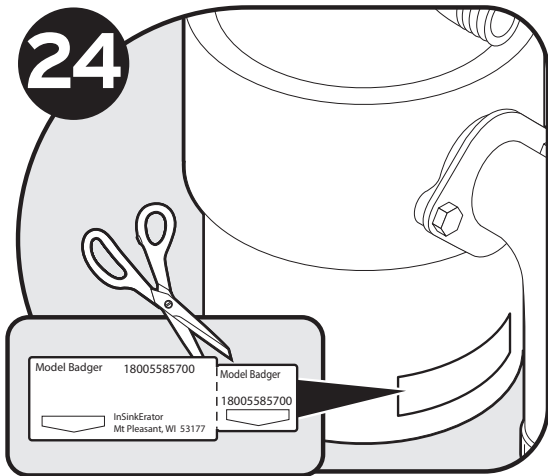
NOTICE/AVISO/AVIS

Property Damage: Risk of long/short term water leakage if all three mounting tabs are not properly engaged on all slide-up ramps and locked in place past the ridges.

Daño a la propiedad: Riesgo de filtración de agua a corto/largo plazo si las tres lengüetas de montaje no están correctamente acopladas a todas las rampas deslizantes y aseguradas en el lugar por los bordes.

Dommages matériels : Risque de fuite à court terme ou à long terme si les trois languettes de montage ne sont pas correctement enclenchées dans les rampes de glissement vers le haut et verrouillées en position en amont des arêtes.

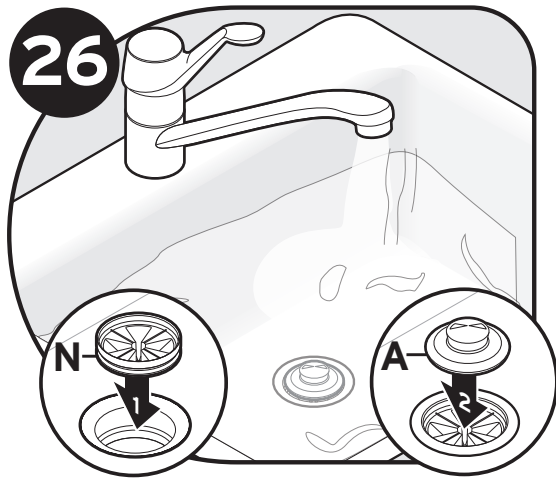
Complete installation/Complete la instalación/ Terminer l'installation



Detach removable portion of spec label and place on a visible location.

Corte la parte desmontable de la etiqueta de especificaciones y colóquela en un lugar visible.

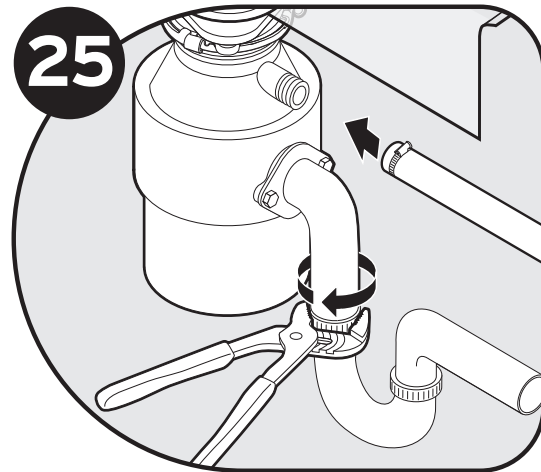
Détachez la partie détachable de l'étiquette de spécifications et placez-la dans un endroit bien visible.



To test for leaks, insert (N) into (B), press down evenly until it snaps into place. Insert (A) into sink opening, fill sink with water, remove (A) to drain, then look under sink for leaking water.

Para verificar si hay fugas, inserte (N) en (B) y presione hacia abajo hasta que encaje en su lugar. Inserte (A) en la abertura del fregadero, llene el fregadero con agua, quite (A) para drenar y luego verifique debajo del fregadero para ver si hay fugas de agua.

Pour vérifier qu'il n'y a pas de fuites, insérer (N) dans (B), enfoncer uniformément jusqu'à ce qu'elle s'enclenche en place. Insérer (A) dans l'ouverture de l'évier, remplir ce dernier d'eau, retirer (A) pour vidanger l'eau, puis regarder s'il y a des fuites d'eau sous l'évier.



Reconnect plumbing. If the dishwasher connection is used make sure drain plug in disposer is removed. Make sure discharge tube mount is straight.

Vuelva a conectar las tuberías. Si se utiliza la conexión del lavavajillas, asegúrese de que el tapón de desague del triturador haya sido retirado. Asegúrese de que el tubo de descarga esté derecho.

Reconnectez la plomberie. Si le lave-vaisselle est raccordé, assurez-vous que le bouchon de vidange dans le broyeur est retiré. S'assurer que le montage du tuyau de vidange est droit.

NOTICE/AVISO/AVIS

Property Damage: Risk of long/short term water leakage if not properly assembled.

You may need to trim tube for proper fit. To reduce the potential of leaking, the drain line must be properly pitched (not less than 1/4" of pitch per foot of run) from the disposer to the drain connection, with the drain connection being lower than the disposer discharge. Failure to do so could lead to premature corrosion or leaking due to standing water left in the disposer.

Daño a la propiedad: Si no se coloca de la manera adecuada existe riesgo de filtración de agua a corto o largo plazo.

Es posible que deba recortar el tubo para que quede bien colocado. Para reducir el potencial de fugas, la línea del drenaje debe estar colocada de la manera apropiada (no menos de 1/4" de inclinación por pie de tramo) desde el triturador hasta la conexión del drenaje, y la conexión del drenaje debe estar más baja que la descarga del triturador. Si no se coloca de la manera apropiada, puede provocar corrosión prematura o filtraciones debido al agua estancada en el triturador.

Dommages matériels : Un assemblage incorrect peut entraîner un risque de fuite d'eau à court ou à long terme.

Il peut être nécessaire de couper le tube pour l'ajuster correctement. Pour réduire les risques de fuite, le tuyau de vidange doit avoir une pente adéquate (chute d'au moins 6 mm sur 30 cm ou 1/4 po par pied) entre le broyeur et le raccord de vidange, le raccord de vidange devant se trouver plus bas que l'évacuation du broyeur. Le non-respect de cette instruction pourrait entraîner une corrosion prématurée ou des fuites en raison de la présence d'eau stagnante dans le broyeur.

ENGLISH

INSTRUCTIONS PERTAINING TO RISK OF FIRE, ELECTRIC SHOCK, INJURY TO PERSONS OR DAMAGE TO PROPERTY

IMPORTANT SAFETY INSTRUCTIONS

WARNING

Personal Injury: Do not position your head or body under disposer; unit could fall during removal or installation.

GROUNDING INSTRUCTIONS

For all grounded, cord-connected disposers:

This disposer must be grounded to reduce the risk of electric shock in the event of a malfunction or breakdown. Grounding provides a path of least resistance for electric current. If your disposer did not include a factory installed power cord, use a cord having an equipment-grounding conductor and a grounding plug. (InSinkErator power cord accessory CRD-00 recommended.) The plug must be plugged into an outlet that is properly installed and grounded in accordance with all local codes and ordinances.

For permanently connected disposers:

This disposer must be connected to a grounded, metal, permanent wiring system; or an equipment-grounding conductor must be run with the circuit conductors and connected to the equipment-grounding terminal or lead on the disposer.


WARNING

Improper connection of the equipment-grounding conductor can result in a risk of electric shock. Check with a qualified electrician or serviceman if you are in doubt as to whether the disposer is properly grounded. If the plug you are using does not fit the outlet, do not modify the plug or attempt to force the plug into the outlet - have a proper outlet installed by a qualified electrician.

- This disposer must be properly grounded.
- Do not attach ground wire to gas supply line.
- Disconnect power before installing or servicing disposer.
- If three-prong grounded plug is used, plug must be inserted into three-hole grounded receptacle.
- All wiring must comply with local electrical codes.
- Do not reconnect electrical current at main service panel until proper grounds are installed.

NOTICE

- Do not use plumber's putty on any other disposer connection other than sink flange. Do not use thread sealants or pipe dope. These may harm disposer and cause property damage.

 **WARNING** When using electric appliances, basic precautions are always to be followed, including:

- Read all instructions before using the appliance.
- To reduce the risk of injury, close supervision is required when an appliance is used near children.
- Do not put fingers or hands into a waste disposer.
- Turn the power switch to the off position before attempting to clear a jam, removing an object from the disposer or pressing reset button.
- When attempting to loosen a jam in a waste disposer, use the self-service wrenchette.
- When attempting to remove objects from a waste disposer, use long-handled tongs or pliers.
- Do not put the following into a disposer: clam or oyster shells, caustic drain cleaners or similar products, glass, china, or plastic, metal (such as bottle caps, steel shot, tin cans, or utensils), hot grease or other hot liquids.
- When not operating a disposer, leave the stopper in place to reduce the risk of objects falling into the disposer.
- This product is designed to dispose of normal household food waste; inserting materials other than food waste into disposer could cause personal injury and/or property damage.
- To reduce the risk of injury and/or property damage, do not use the sink containing the disposer for purposes other than food preparation (such as baby bathing or washing hair).
- Do not dispose of the following in the disposer: paints, solvents, household cleaners and chemicals, automotive fluids, plastic wrap.
- **FIRE HAZARD:** Do not store flammable items such as rags, paper or aerosol cans near disposer. Do not store or use gasoline or other flammable vapors and liquids in vicinity of disposer.
- **LEAK HAZARD:** Regularly inspect disposer and plumbing fittings for leaks, which can cause property damage and could result in personal injury.

SAVE THESE INSTRUCTIONS

OPERATING INSTRUCTIONS

1. Remove stopper from sink opening and run cold water.
2. Turn on disposer.
3. Slowly insert food waste into disposer. **WARNING!** Position stopper to minimize possible ejection of material while grinding.
4. After grinding is complete, turn disposer off and run water for a few seconds to flush drain line.

DO...

- First turn on cold water and then turn on the disposer. Continue running cold water for several seconds after grinding is completed to flush the drain line.
- Grind hard materials such as small bones, fruit pits, and ice.
A scouring action is created by the particles inside the grind chamber.
- Grind peelings from citrus fruits to freshen up drain smells.
- Use a disposer cleaner, degreaser, or deodorizer as necessary to relieve objectionable odors caused by grease build-up.

NOTICE

Failure to flush the disposer properly may result in damage to the disposer and/or property damage.

DON'T...

- ***DON'T POUR GREASE OR FAT DOWN YOUR DISPOSER OR ANY DRAIN. IT CAN BUILD UP IN PIPES AND CAUSE DRAIN BLOCKAGES. PUT GREASE IN A JAR OR CAN AND DISPOSE IN THE TRASH.***
- Don't use hot water when grinding food waste. It is OK to drain hot water into the disposer between grinding periods.
- Don't fill disposer with a lot of vegetable peels all at once. Instead, turn the water and disposer on first and then feed the peels in gradually.
- Don't grind large amounts of egg shells or fibrous materials like corn husks, artichokes, etc., to avoid possible drain blockage.
- Don't turn off disposer until grinding is completed and only sound of motor and water is heard.



USER MAINTENANCE INSTRUCTIONS

CLEANING DISPOSER

Over time, food particles may accumulate in the grind chamber and baffle. An odor from the disposer is usually a sign of food buildup. To clean disposer:

1. Place stopper in sink opening and fill sink halfway with warm water.
2. Mix 1/4 cup baking soda with water. Turn disposer on and remove stopper from sink at same time to wash away loose particles.

RELEASING DISPOSER JAM

If motor stops while disposer is operating, disposer may be jammed. To release jam:

1. Turn off disposer and water.
2. Insert one end of self-service wrenchette into center hole on bottom of disposer (see Figure A). Work wrenchette back and forth until it turns one full revolution. Remove wrenchette.

Figure A

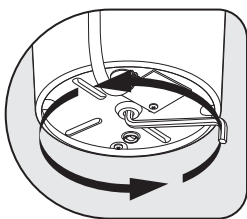
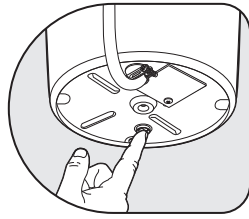


Figure B



⚠ WARNING



Injury Hazard

Remove wrenchette before reconnecting power to the disposer. Do not hold the wrenchette when operating the disposer. Failure to do so can result in broken bones or cuts.

3. Reach into disposer with tongs and remove object(s). Allow disposer motor to cool for 3 - 5 minutes, then lightly push red reset button on disposer bottom (see Figure B). (If motor remains inoperative, check service panel for tripped circuit breakers or blown fuses.)

IN-HOME FULL-SERVICE LIMITED WARRANTY
BADGER® 1, BADGER® 1XL, BADGER® 100 - 2 YEARS,
BADGER® 5, BADGER® 5XL, BADGER® 500 - 5 YEARS,
BADGER® 5XP, BADGER® 7XL, BADGER® 700 - 6 YEARS

This limited warranty is provided by InSinkErator, LLC, ("InSinkErator" or "Manufacturer" or "we" or "our" or "us") to the original consumer owner of the InSinkErator product with which this limited warranty is provided (the "InSinkErator Product"), and any subsequent owner of the residence in which the Product was originally installed ("Customer" or "you" or "your").

InSinkErator warrants to Customer that your InSinkErator Product will be free from defects in materials and workmanship, subject to the exclusions described below, for the warranty period, commencing on the later of: (a) the date your InSinkErator Product is originally installed, (b) the date of purchase (or delivery if later), or (c) the date of manufacture as identified by your InSinkErator Product serial number. You will be required to show written documentation supporting (a) or (b). If you are unable to provide documentation supporting either (a) or (b), the Warranty Period commencement date will be determined by Manufacturer, in its sole and absolute discretion, based upon your InSinkErator Product serial number.

What is Covered

This limited warranty covers defects in materials or workmanship, subject to the exclusions below, in InSinkErator Products used by a consumer Customer for residential use only, and includes all replacement parts and labor costs. YOUR SOLE AND EXCLUSIVE REMEDY UNDER THIS LIMITED WARRANTY SHALL BE LIMITED TO REPAIR OR REPLACEMENT OF THE INSINKERATOR PRODUCT, PROVIDED THAT IF WE DETERMINE IN OUR SOLE DISCRETION THAT NEITHER REMEDY IS PRACTICABLE, WE MAY PROVIDE YOU A REFUND OF YOUR PURCHASE PRICE OR A CREDIT TOWARDS ANOTHER INSINKERATOR PRODUCT.

What is not Covered

This limited warranty does not extend to and expressly excludes:

- Losses or damages or the inability to operate your InSinkErator Product resulting from conditions beyond the Manufacturer's control including, without limitation, accident, alteration, misuse, abuse, neglect, negligence (other than Manufacturer's), failure to install, maintain, assemble, or mount the InSinkErator Product in accordance with Manufacturer's instructions or local electrical and plumbing codes.
- Wear and tear expected to occur during the normal course of use, including without limitation, cosmetic rust, scratches, dents or comparable and reasonably expected losses or damages.

In addition to the above exclusions, this limited warranty does not apply to InSinkErator Products installed in a commercial or industrial application.

No Other Express Warranty Applies

This limited warranty is the sole and exclusive warranty provided to the Customer identified above. No other express warranty, written or verbal, applies. No employee, agent, dealer, or other person is authorized to alter this limited warranty or make any other warranty on behalf of Manufacturer. The terms of this limited warranty shall not be modified by the Manufacturer, the original owner, or their respective successors or assigns.

What we will do to Correct Problems

If your InSinkErator Product does not operate in accordance with the documentation provided to you, or you have questions concerning your InSinkErator Product or how to determine when service is needed, please call the toll free InSinkErator AnswerLine® at 1 (800) 558-5700, or visit our website at www.insinkerator.com. You may also

notify us at: InSinkErator Service Center, 4700 21st Street, Racine, Wisconsin 53406 USA.

The following information must be provided as part of your warranty claim: your name, address, phone number, your InSinkErator Product model and serial number, and if necessary, upon request, written confirmation of either: (a) the date shown on your installation receipt, or (b) the date shown on your purchase receipt.

Manufacturer or its authorized service representative will determine, in its sole and absolute discretion, if your InSinkErator Product is covered under this limited warranty. You will be given the contact information for your closest authorized InSinkErator Service Center. Please contact your InSinkErator Service Center directly to receive in home warranty repair or replacement service. Only an authorized InSinkErator service representative may provide warranty service. InSinkErator is not responsible for warranty claims arising from work performed on your InSinkErator Product by anyone other than an authorized InSinkErator service representative.

If a covered claim is made during the Warranty Period, Manufacturer will, through its authorized service representative, either repair or replace your InSinkErator Product. Cost of replacement parts or a new InSinkErator Product, and cost of labor for repair or installation of the replacement InSinkErator Product are provided at no cost to you. Repair or replacement shall be determined by Manufacturer or its authorized service representative in their sole discretion. All repair and replacement services will be provided to you at your home. If Manufacturer determines that your InSinkErator Product must be replaced rather than repaired, the limited warranty on the replacement InSinkErator Product will be limited to the unexpired term remaining in the original Warranty Period.

This disposer is covered by Manufacturer's limited warranty. This limited warranty is void if you attempt to repair the InSinkErator Product.

For service information, please visit www.insinkerator.com or call, toll free, 1-800-558-5700.

Limitation of Liability

TO THE EXTENT PERMITTED BY LAW, IN NO EVENT SHALL MANUFACTURER OR ITS AUTHORIZED SERVICE REPRESENTATIVES BE LIABLE FOR ANY INCIDENTAL, SPECIAL, INDIRECT, OR CONSEQUENTIAL DAMAGES, INCLUDING ANY ECONOMIC LOSS, WHETHER RESULTING FROM NONPERFORMANCE, USE, MISUSE OR INABILITY TO USE THE INSINKERATOR PRODUCT OR THE MANUFACTURER'S OR ITS AUTHORIZED SERVICE REPRESENTATIVE'S NEGLIGENCE. MANUFACTURER SHALL NOT BE LIABLE FOR DAMAGES CAUSED BY DELAY IN PERFORMANCE AND IN NO EVENT, REGARDLESS OF THE FORM OF THE CLAIM OR CAUSE OF ACTION (WHETHER BASED IN CONTRACT, INFRINGEMENT, NEGLIGENCE, STRICT LIABILITY, OTHER TORT OR OTHERWISE), SHALL MANUFACTURER'S LIABILITY TO YOU EXCEED THE PRICE PAID BY THE ORIGINAL OWNER FOR THE INSINKERATOR PRODUCT.

The term "consequential" damages shall include, but not be limited to, loss of anticipated profits, business interruption, loss of use or revenue, cost of capital or loss or damage to property or equipment.

Some states do not allow the exclusion or limitation of incidental or consequential damages, so the above limitation may not apply to you. This limited warranty gives you specific legal rights and you may also have other rights which vary from state to state.



Food waste is roughly 60-95% water. By using your disposal regularly, you can help divert food waste from landfills and reduce greenhouse gas emissions. Make sustainability a family affair by using your disposal. After all, the smallest changes can make the biggest impact.

For U.S. www.insinkerator.com/green For Canada www.insinkerator.ca

InSinkErator® may make improvements and/or changes in the specifications at any time, in its sole discretion, without notice or obligation and further reserves the right to change or discontinue models.

The mounting collar configuration is a trademark of InSinkErator, LLC.

INSTRUCCIONES SOBRE RIESGO DE INCENDIO, CHOQUE ELÉCTRICO, LESIONES PERSONALES O DAÑO A LA PROPIEDAD

INSTRUCCIONES IMPORTANTES PARA SU SEGURIDAD

PRECAUCIÓN

Lesiones personales: No coloque la cabeza ni el cuerpo debajo del triturador, ya que la unidad podría caerse mientras lo retira o instala.

INSTRUCCIONES PARA LA CONEXIÓN A TIERRA

Instrucciones para todos los trituradores con conexión a tierra conectados por cable:

El triturador debe estar conectado a tierra a fines de reducir el riesgo de descarga eléctrica en caso de mal funcionamiento o avería. La conexión a tierra proporciona una vía de menor resistencia para la corriente eléctrica. Si su triturador no incluía un cable de alimentación instalado de fábrica, use un cable que tenga un conductor de conexión a tierra y un enchufe de conexión a tierra. (Se recomienda el accesorio de cable de alimentación InSinkErator CRD-00). El enchufe debe estar conectado a un tomacorriente que esté instalado correctamente y con conexión a tierra de acuerdo con todos los reglamentos y códigos locales.

Instrucciones para los trituradores de desperdicios de comida de conexión permanente:

El triturador debe estar conectado a un sistema de cableado permanente de metal y con conexión a tierra, o bien el conductor de conexión a tierra del equipo debe funcionar junto con los conductores de circuito y estar conectado al cable o terminal con conexión a tierra del equipo del triturador.

PRECAUCIÓN

La conexión incorrecta del conductor de conexión a tierra del equipo puede representar un riesgo de descarga eléctrica. Consulte a un electricista calificado o especialista en reparaciones si tiene dudas sobre la conexión a tierra del triturador. Si el enchufe que está usando no coincide con el tipo de tomacorriente, no altere el enchufe ni lo fuerce para que entre en el tomacorriente; pídale a un electricista calificado que instale un tomacorriente adecuado.

- El triturador debe tener una adecuada conexión a tierra.
- No conecte el cable de conexión a tierra en un tubo de suministro de gas.
- Desconecte la corriente eléctrica antes de instalar o reparar el triturador.
- Si se utiliza un enchufe de tres patas con conexión a tierra, el enchufe debe introducirse en un receptáculo de tres orificios con conexión a tierra.
- Todo el cableado debe cumplir con los códigos eléctricos locales.
- No reconecte la corriente eléctrica al panel de servicio principal sino hasta que se instalen las conexiones a tierra adecuadas.

AVISO

- No utilice masilla de plomería ni ninguna otra conexión del triturador que no sea la brida del fregadero. No utilice sellador de rosca ni grasa para rosca de cañerías. Estos productos pueden dañar el triturador y ocasionar daños a la propiedad..

ADVERTENCIA: LAI usar artefactos electrodomésticos, siempre se deben tomar precauciones básicas, las que incluyen:

- Lea todas las instrucciones antes de utilizar el aparato.
- Para reducir el riesgo de lesiones, se requiere estrecha supervisión cuando se usa un artefacto cerca de niños.
- No ponga los dedos ni las manos dentro de un triturador de desperdicios.
- Coloque el interruptor de encendido en la posición de apagado antes de tratar de eliminar un atasco, retirar un objeto del triturador de desperdicios o presionar el botón de reposición.
- Para eliminar obstrucciones de un triturador de desperdicios, utilice la llave para autoservicio.
- Al tratar de extraer objetos de un triturador de desperdicios use tenazas o pinzas de mango largo.
- No coloque los siguientes elementos dentro de un triturador: conchas de almejas u ostras, limpiadores de drenaje cáusticos o productos similares, vidrio, loza o plástico, metales (como tapas de botellas, granalla de acero, latas o utensilios), grasa caliente u otros líquidos calientes.
- Cuando el triturador no esté en funcionamiento, deje la tapón del drenaje en su lugar para reducir el riesgo de que algún objeto caiga en el triturador.
- Este producto está diseñado para deshacerse de desperdicios normales de los alimentos hogareños; insertar materiales que no son desperdicios en el triturador podría ocasionar lesiones personales o daños a la propiedad.
- Para reducir el riesgo de lesiones o de daños en bienes, no utilice el fregadero con el triturador de desperdicios de comida en otras actividades que no sean preparación de comida (tales como bañar a un bebé o lavarse el pelo).
- No elimine ninguno de los siguientes elementos en el triturador: pinturas, solventes, limpiadores de uso doméstico, productos químicos, líquidos para automóviles o envolturas de plástico.
- PELIGRO DE INCENDIO: No guarde artículos inflamables, como trapos, papel o aerosoles, cerca del triturador. No guarde ni utilice gasolina ni otros vapores o líquidos inflamables cerca del triturador.
- PELIGRO DE FUGA: Revise periódicamente el triturador y los acoples de plomería para ver si hay fugas que puedan ocasionar daños materiales y puedan provocar lesiones personales.

GUARDE ESTAS INSTRUCCIONES

INSTRUCCIONES DE OPERACION

1. Retire el tapón del fregadero y haga correr agua fría.
2. Encienda el triturador.
3. Introduzca lentamente los desperdicios de comida dentro del triturador. **¡ADVERTENCIA!** Coloque el tapón para disminuir la posibilidad de que los materiales salgan despedidos durante la trituración.
4. Luego de que la trituración esté completa, apague el triturador y deje correr el agua durante unos segundos para enjuagar la línea de drenaje.

LO QUE DEBE HACER

- Primero haga correr el agua fría y luego encienda el triturador. Después de que termine la trituración, deje correr el agua durante varios segundos para enjuagar la línea de drenaje.
- Triture materiales duros como huesos pequeños, carozos de frutas y hielo. Las partículas crean una acción de restregado en el interior de la cámara de trituración.
- Triture cáscaras de frutas cítricas para refrescar el olor del drenaje.
- Utilice un limpiador, desengrasante o desodorante para trituradores cuando sea necesario a fin de eliminar malos olores causados por la acumulación de grasa.

AVISO

Si no enjuaga el triturador de la manera adecuada puede provocar daños al triturador o a la propiedad.

LO QUE NO DEBE HACER

- **NO VIERTA GRASA NI ACEITE EN EL TRITURADOR NI EN NINGÚN DRENAJE. ESTOS MATERIALES SE PUEDEN ACUMULAR EN LAS CAÑERÍAS Y TAPAR EL DRENAJE. COLOQUE LA GRASA EN UN FRASCO O LATA Y DESÉCHELO EN LA BA SURA.**
- No use agua caliente para triturar desperdicios de comidas. Puede dejar correr agua caliente en el triturador entre períodos de trituración.
- No llene el triturador con demasiadas cáscaras de vegetales al mismo tiempo. Primero abra la llave del agua y encienda el triturador y luego coloque las cáscaras gradualmente.
- No triture grandes cantidades de cáscaras de huevo ni materiales fibrosos como barbas del choclo, alcachofas, etc., pues ello podría obstruir el drenaje.
- No apague el triturador hasta que la trituración esté completa y sólo se escuche el sonido del motor y del agua.



INSTRUCCIONES DE MANTENIMIENTO PARA EL USUARIO

LIMPIEZA DEL TRITURADOR

Con el tiempo, pueden acumularse partículas de comida en la cámara de trituración y el deflector. Los malos olores provenientes del triturador son generalmente un signo de acumulación de comida. Para limpiar el triturador:

1. Coloque el tapón en la abertura del fregadero y llénelo con agua tibia hasta la mitad.
2. Mezcle 1/4 de taza de bicarbonato de sodio con agua. Encienda el triturador y retire el tapón del fregadero al mismo tiempo para eliminar las partículas sueltas.

COMO LIBERAR LAS OBSTRUCCIONES DEL TRITURADOR

Si el motor se detiene durante el funcionamiento del triturador, puede ser debido a una obstrucción. Para liberar las obstrucciones:

1. Apague el triturador y cierre la llave de agua.
2. Inserte un extremo de la wrenchette en el orificio central, en el fondo del triturador (ver Figura A). Mueva la wrenchette hacia adelante y hacia atrás hasta que gire una vuelta completa. Quite la wrenchette.

Figura A

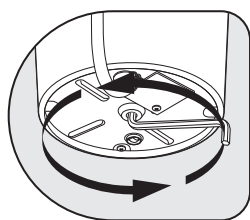
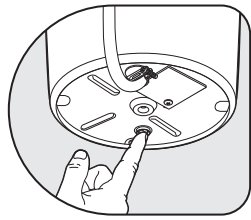


Figura B



⚠ ADVERTENCIA



Peligro de lesiones

Retire la llave hexagonal antes de reconectar el suministro eléctrico al triturador. No mantenga sujeta la llave hexagonal cuando utilice el triturador. No hacerlo puede provocar fracturas óseas o cortes.

3. Introduzca unas tenazas dentro del triturador y retire el objeto u objetos. Deje enfriar el motor durante 3 a 5 minutos y luego oprima suavemente el botón de reposición rojo ubicado en la parte inferior del triturador (ver Figura B). (Si el motor sigue sin funcionar, revise el panel de servicio para ver si hay interruptores de circuito activados o fusibles quemados.)

GARANTÍA LIMITADA DE SERVICIO COMPLETO EN EL HOGAR BADGER® 1, BADGER® 1XL, BADGER® 100 - 2 AÑOS, BADGER® 5, BADGER® 5XL, BADGER® 500 - 5 AÑOS, BADGER® 5XP, BADGER® 7XL, BADGER® 700 - 6 AÑOS

InSinkErator, LLC («InSinkErator», el «fabricante», «nosotros» o «nuestro») proporciona esta garantía al consumidor propietario original del producto de InSinkErator con el que se entrega esta garantía limitada (el «Producto de InSinkErator»), y a cualquier propietario posterior de la residencia en la que se instaló originalmente el Producto («Cliente», «usted» o «su»).

InSinkErator le garantiza al Cliente que su Producto InSinkErator no tendrá defectos en el material ni la mano de obra, sujetos a las exclusiones descritas a continuación, durante el período de garantía, que comienza luego de: (a) la fecha en la que se instaló originalmente su Producto InSinkErator, (b) la fecha de compra (o entrega si es posterior) o (c) la fecha de fabricación indicada por el número de serie de su Producto InSinkErator. Deberá presentar la documentación escrita correspondiente para justificar (a) o (b). En caso de que no pueda presentar la documentación para justificar (a) o (b), la fecha de inicio del Período de Garantía quedará a consideración del Fabricante, bajo su único y absoluto criterio, basado en el número de serie del Producto InSinkErator.

Cobertura

Esta garantía limitada cubre defectos en los materiales y en la mano de obra, sujeta a las excepciones detalladas a continuación, en productos de InSinkErator utilizados por un Cliente usuario solo para uso doméstico, e incluye el costo de todos los repuestos y servicios de mano de obra. SU ÚNICO Y EXCLUSIVO RECURSO SEGÚN LOS TÉRMINOS DE ESTA GARANTÍA LIMITADA SERÁ LA REPARACIÓN O EL REEMPLAZO DEL PRODUCTO INSINKERATOR, EN EL ENTENDIDO DE QUE SI A NUESTRO JUICIO NINGÚN RECURSO ES PRÁCTICO, LE PODREMOS REEMBOLSAR EL PRECIO DE SU COMPRA O APLICARLO COMO CRÉDITO PARA LA COMPRA DE OTRO PRODUCTO INSINKERATOR.

Qué no cubre la cobertura

Esta garantía limitada no cubre y excluye de manera expresa lo siguiente:

- Pérdidas o daños, o la imposibilidad de operar su producto InSinkErator debido a condiciones que escapan al control del Fabricante, las que incluyen, de forma no taxativa, accidentes, modificaciones, uso incorrecto, abuso, descuido, negligencia (que no sea responsabilidad del Fabricante), fallas en la instalación, mantenimiento, armado o montaje del producto de InSinkErator, según lo indican las instrucciones del Fabricante o los códigos locales eléctricos y de plomería.
- El deterioro previsto bajo condiciones normales de uso incluye, de forma no taxativa, óxido superficial, rayones, abolladuras o pérdidas y daños comparables o razonablemente previstos.

Además de las excepciones anteriores, esta garantía limitada no se aplica a productos de InSinkErator instalados con fines comerciales o industriales.

No se aplica ninguna otra garantía expresa

Esta es la única y exclusiva garantía limitada que se le brinda al Cliente descrito anteriormente. No se aplica ninguna otra garantía expresa, oral o escrita. No se autoriza a ningún empleado, agente, distribuidor o tercero a modificar esta garantía limitada o a elaborar alguna otra garantía en nombre del Fabricante. Ninguna persona podrá modificar los términos de esta garantía limitada independientemente de si se trata del Fabricante, el propietario original o sus respectivos sucesores o beneficiarios.

Solución de problemas

Si su producto de InSinkErator no funciona según la documentación brindada, o si tiene preguntas sobre su producto de InSinkErator o desea saber si necesita servicio, llame a la línea de ayuda gratuita AnswerLine® de InSinkErator al 1 (800) 558-5700, o visite nuestro sitio web www.insinkerator.com. También puede comunicarse con nosotros en: InSinkErator Service Center, 4700 21st Street, Racine, Wisconsin 53406 USA.

Debe brindar la siguiente información para presentar su reclamo de garantía: nombre, dirección, número de teléfono, modelo y número de serie del producto de InSinkErator, y en caso de ser necesario, se solicitará confirmación por escrito de: (a) fecha detallada en el recibo de instalación, o (b) fecha detallada en el recibo de compra.

El fabricante o su representante de servicio autorizado determinarán, a su exclusivo y absoluto criterio, si esta garantía limitada cubre su producto de InSinkErator. Se le dará la información para comunicarse con el centro de servicio autorizado de InSinkErator más cercano. Comuníquese directamente con el centro de servicio de InSinkErator para recibir en su hogar el servicio de garantía de reparación o reemplazo. Solo un representante de servicio autorizado de InSinkErator puede ofrecer el servicio de garantía. InSinkErator no se hace responsable de los reclamos de garantía que surjan del trabajo realizado en su producto de InSinkErator por otra persona que no sea un representante autorizado de servicio de InSinkErator.

Si se realiza un reclamo cubierto por la garantía durante el período de garantía, el Fabricante reparará o reemplazará su producto de InSinkErator a través de un representante de servicio autorizado. No se cobrará el costo de los repuestos o del nuevo producto de InSinkErator, ni el costo de la mano de obra para la reparación o instalación del producto de InSinkErator de reemplazo. El Fabricante o su representante de servicio autorizado determinarán, a su exclusivo criterio, la reparación o el reemplazo. Todos los servicios de reparación y reemplazo se realizarán en su hogar. Si el Fabricante determina que se debe reemplazar su producto InSinkErator en vez de repararlo, la garantía limitada del producto InSinkErator de reemplazo se limitará al plazo restante vigente de la garantía original.

Este triturador está cubierto por la garantía limitada del Fabricante. Esta garantía limitada es nula si usted intenta reparar el producto InSinkErator. Para obtener información sobre el servicio, visite www.insinkerator.com o llame a la línea gratuita 1-800-558-5700.

Limitación de responsabilidades

EN LA MEDIDA EN QUE LA LEY LO PERMITA, EN NINGÚN CASO EL FABRICANTE NI SUS REPRESENTANTES DE SERVICIO AUTORIZADO SE RESPONSABILIZARÁN DE CUALQUIER DAÑO INCIDENTAL, ESPECIAL, DIRECTO O CONSECUENTE, INCLUIDA CUALQUIER PÉRDIDA ECONÓMICA, YA SEA RESULTADO DEL INCUMPLIMIENTO, EL USO, EL USO INCORRECTO O LA IMPOSIBILIDAD DE USAR EL PRODUCTO DE INSINKERATOR O LA NEGLIGENCIA POR PARTE DEL FABRICANTE O SUS REPRESENTANTES DE SERVICIO AUTORIZADO. EL FABRICANTE NO SE RESPONSABILIZARÁ DE LOS DAÑOS CAUSADOS POR DEMORAS EN EL CUMPLIMIENTO Y, EN NINGÚN CASO, INDEPENDIEMENTE DEL TIPO DE RECLAMO O CAUSA DE ACCIÓN (YA SEA QUE SE BASE EN EL CONTRATO, INCUMPLIMIENTO, NEGLIGENCIA, RESPONSABILIDAD OBJETIVA U OTRA RESPONSABILIDAD EXTRA CONTRACTUAL, ENTRE OTROS), LA RESPONSABILIDAD DEL FABRICANTE SUPERARÁ EL PRECIO ABONADO POR EL PROPIETARIO ORIGINAL DEL PRODUCTO DE INSINKERATOR.

El término “daños consecuentes” incluye, de forma no taxativa, pérdida de ganancias anticipadas, interrupción de actividades comerciales, uso o lucro cesante, costo de capital o pérdidas, o daños de propiedades o equipos.

Algunos estados no permiten la exclusión o limitación de responsabilidades por daños incidentales o consecuentes; por lo tanto, es posible que estas limitaciones no se apliquen a usted. Esta garantía limitada le otorga derechos legales específicos y también puede tener otros derechos que varían según el estado



Los desperdicios de comida son aproximadamente un 60-95% de agua. Si utiliza su triturador con frecuencia, ayuda a desviar los desperdicios de comida de los vertederos (basureros) y a reducir las emisiones de gases de efecto invernadero. Haga que la sostenibilidad sea un asunto familiar mediante el uso del triturador. Después de todo, hasta el cambio más pequeño puede provocar el efecto más grande.

Para EEUU www.insinkerator.com/green Para Canadá www.insinkerator.ca

InSinkErator® podrá hacer mejores y/o cambios en las especificaciones en cualquier momento, a su discreción exclusiva, sin aviso ni obligación, y se reserve adicionalmente el derecho a cambiar o descontinuar los modelos.

La configuración del collar de montaje es una marca registrada de InSinkErator, LLC.

FRANÇAIS

DIRECTIVES RELATIVES AUX RISQUES D'INCENDIE, DE CHOC ÉLECTRIQUE, DE BLESSURES ET DE DOMMAGES MATÉRIELS

CONSIGNES DE SÉCURITÉ IMPORTANTES

MISE EN GARDE

Blessures : Ne pas placer la tête ou le corps sous le broyeur de déchets, l'unité pourrait tomber pendant le retrait ou l'installation

DIRECTIVES DE MISE À LA TERRE

Pour tous les broyeurs mis à la terre et raccordés à l'aide d'un cordon d'alimentation :

Le broyeur doit être mis à la terre pour réduire le risque de choc électrique en cas de défaillance ou de panne. La mise à la terre fournit un espace de moindre résistance au courant électrique. Si votre broyeur ne comprenait pas un cordon d'alimentation installé en usine, utilisez un cordon ayant un conducteur et une fiche de mise à la terre. (Le cordon d'alimentation CRD-00 d'InSinkErator est recommandé.) La fiche doit être branchée sur une prise qui est correctement installée et mise à la terre conformément à tous les codes et ordonnances locaux.

Pour les broyeurs connectés en permanence :

Le broyeur doit être connecté à une installation électrique métallique permanente mise à la terre ou un conducteur de mise à la terre d'équipement doit être lié aux conducteurs du circuit et raccordé à la borne de mise à la terre d'équipement ou au fil de connexion se trouvant sur le broyeur.


MISE EN GARDE

Un branchement inadéquat du conducteur de mise à la terre d'équipement peut entraîner des risques de choc électrique. En cas de doute sur la mise à la terre du broyeur, demandez l'avis d'un électricien ou d'un réparateur qualifié. Si la fiche que vous utilisez ne convient pas à la prise, ne modifiez pas la fiche et ne tentez pas de la forcer dans la prise - faites installer une prise appropriée par un électricien qualifié.

- Ce broyeur doit être correctement mis à la terre.
- Ne pas fixer de fil de mise à la terre au tuyau d'alimentation du gaz.
- Couper l'alimentation électrique avant d'installer ou de réparer le broyeur.
- Si une fiche de mise à la terre à trois branches est utilisée, celle-ci doit être insérée dans une prise de trois trous mise à la terre.
- Tout le câblage utilisé doit être conforme aux codes de l'électricité locaux en vigueur.
- Ne pas remettre le courant au panneau principal avant que des conducteurs de mise à la terre ne soient installés.

AVIS

- Ne pas utiliser du mastic de plomberie sur aucune autre connection du broyeur que le collier d'évier. Ne pas utiliser de produit d'étanchéité pour filetage ni de pâte lubrifiante. Ces produits sont nuisibles au broyeur et peuvent causer des dommages

 **AVERTISSEMENT :** Lors de l'utilisation d'appareils électriques, des précautions élémentaires doivent toujours être prises, y compris

- Lire les instructions au complet avant d'utiliser l'appareil.
- Pour réduire les risques de blessure, surveiller étroitement les enfants lorsqu'ils se trouvent à proximité d'un appareil en marche.
- Ne pas mettre les doigts ou la main dans un broyeur de déchets.
- Mettre l'interrupteur à la position d'arrêt avant de tenter de libérer un objet coincé, d'enlever un objet du broyeur ou d'appuyer sur le bouton de réenclenchement.
- Pour tenter de dégager un objet coincé dans le broyeur de déchets, utiliser la petite clé d'entretien.
- Pour enlever des objets du broyeur de déchets, utiliser des clés ou des pinces à longs manches.
- Ne pas mettre les produits ou objets suivants dans le broyeur de déchets : coquilles de palourde ou d'huître, nettoyants caustiques pour drain ou produits similaires, verre, porcelaine ou plastique, métal (tel que bouchons de bouteille, morceaux de métal, boîtes de conserve ou ustensiles), graisse chaude ou autres liquides chauds.
- Lorsque le broyeur n'est pas utilisé, laisser le bouchon en place pour éviter toute chute d'objet dans le broyeur.
- Ce produit a été conçu pour disposer des déchets de cuisine, le fait d'insérer autre chose que des déchets de cuisine dans le broyeur pourrait entraîner des blessures et/ou des dommages matériels.
- Afin de réduire les risques de blessure et de dommages matériels, ne pas utiliser un évier doté d'un broyeur de déchets à d'autres fins que la préparation d'aliments (par exemple, pour donner le bain à un bébé ou pour se laver les cheveux).
- Ne pas jeter les produits suivants dans le broyeur : peinture, solvants, produits chimiques et nettoyants ménagers, liquides automobiles, pellicule plastique.
- **RISQUES D'INCENDIE :** Ne pas ranger d'articles inflammables tels que des chiffons, du papier ou des aérosols à proximité du broyeur. Ne pas ranger ni utiliser de l'essence ou autres vapeurs et liquides inflammables à proximité du broyeur.
- **RISQUES DE FUITE :** Inspectez régulièrement le broyeur de déchets alimentaires et les raccords de plomberie pour détecter les fuites qui pourraient entraîner des dommages matériels, lesquels pourraient causer des blessures

GARDER CES INSTRUCTIONS

MODE D'EMPLOI

1. Enlever le bouchon de l'ouverture de l'évier et faire couler l'eau froide.
2. Mettre le broyeur en marche.
3. Insérer lentement les déchets de cuisine dans le broyeur. **AVERTISSEMENT!** Placer le bouchon de façon à minimiser l'éjection possible de déchets pendant le broyage.
4. Une fois le broyage terminé, éteindre le broyeur et faire couler l'eau dans la conduite du drain pendant quelques secondes pour la rincer.

UTILISATION ADÉQUATE

- Ouvrir d'abord l'eau froide, puis mettre le broyeur en marche. Continuer à faire couler l'eau froide pendant plusieurs secondes après la fin du broyage pour rincer le conduit de vidange.
- Broyer des objets durs tels que de petits os, des noyaux de fruits et de la glace. Une action de frottement est créée par les particules à l'intérieur de la chambre de broyage.
- Broyer des pelures d'agrumes afin de rafraîchir les odeurs que dégagent le drain.
- Au besoin, utiliser un nettoyeur, un dégraissant ou un désodorisant pour éliminer les mauvaises odeurs causées par l'accumulation de graisse dans le broyeur.

AVIS

Un rinçage inadéquat du broyeur peut endommager celui-ci et provoquer des dommages matériels.

UTILISATION INADÉQUATE

- **NE PAS VERSER D'HUILE OU DE GRAISSE DANS VOTRE BROYEUR OU DANS N'IMPORTE QUEL DRAIN. LA GRAISSE POURRAIT S'ACCUMULER DANS LES TUYAUX ET E TRAÎNER UN BLOCAGE DU DRAIN. VERSER LA GRAISSE DANS UN POT OU UNE BOÎTE DE CONSERVE VIDE ET LA METTRE AU REBUS.**
- Ne pas utiliser d'eau chaude pendant le broyage des déchets de cuisine. Le fait de faire couler de l'eau chaude dans le broyeur entre les broyages ne nuit pas à l'appareil.
- Ne pas remplir le broyeur de pelures de légumes en une seule fois. Faire plutôt couler l'eau et allumer le broyeur, puis ajouter les pelures dans le broyeur graduellement.
- Ne pas procéder au broyage de grandes quantités de coquilles d'œuf ou de matières fibreuses telles que des enveloppes de maïs, des artichauts etc. afin d'éviter tout blocage du drain.
- Ne pas éteindre le broyeur avant d'avoir complètement broyé les déchets et d'entendre uniquement le bruit du moteur et de l'eau qui coule.



INSTRUCTIONS D'ENTRETIEN PAR L'UTILISATEUR

NETTOYAGE DU BROYEUR

À la longue, des particules d'aliments peuvent s'accumuler dans la cuve de broyage et sur l'écran. Une odeur émanant du broyeur signifie habituellement une accumulation d'aliments. Pour nettoyer le broyeur :

1. Poser le bouchon dans l'ouverture de l'évier et remplir ce dernier à moitié avec de l'eau tiède.
2. Verser 125 ml de bicarbonate de soude dans l'eau. Allumer le broyeur et enlever le bouchon de l'évier simultanément afin d'évacuer les particules qui se sont détachées.

DÉBLOCAGE DU BROYEUR

Si le moteur s'arrête pendant que le broyeur fonctionne, il est possible que celui-ci soit bloqué. Pour débloquer le broyeur :

1. Éteindre le broyeur et cesser de faire couler l'eau.
2. Insérez une extrémité de la wrenchette dans le trou central au fond du broyeur (reportez-vous à la figure A). Déplacez wrenchette de l'avant vers l'arrière jusqu'à ce qu'elle tourne un tour complet. Retirez la wrenchette.

Figure A

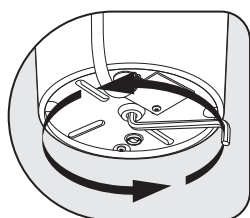
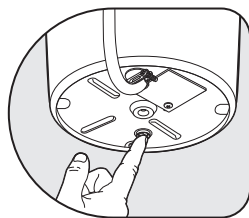


Figure B



AVERTISSEMENT



Risque de blessure

Retirer la clé avant de rebrancher le broyeur. Ne pas tenir la clé lors de l'utilisation du broyeur. Le non-respect de cette règle peut entraîner des fractures ou des coupures.

3. Au moyen de pinces, dégager et enlever les débris qui bloquent le broyeur. Laisser le moteur du broyeur refroidir pendant 3 à 5 minutes puis enfoncer légèrement le bouton de réenclenchement rouge au bas du broyeur (voir Figure B). (Si le moteur ne fonctionne toujours pas, vérifier le panneau de service pour y rechercher des disjoncteurs déclenchés ou des fusibles grillés.)

GARANTIE LIMITÉE DE SERVICE COMPLET À DOMICILE
BADGER® 1, BADGER® 1XL, BADGER® 100 - 2 ANS, BADGER® 5, BADGER® 5XL,
BADGER® 500 - 5 ANS, BADGER® 5XP, BADGER® 7XL, BADGER® 700 - 6 ANS

Cette garantie limitée est fournie par InSinkErator, LLC, (« InSinkErator », « Fabricant », « nous », « nos » ou « notre ») au consommateur original propriétaire du produit InSinkErator avec lequel cette garantie est fournie (le « Produit InSinkErator ») et tout propriétaire subséquent de la résidence dans laquelle le Produit a originalement été installé (« Client », « vous », « vos » ou « votre »).

InSinkErator garantit au Client que votre Produit InSinkErator sera de défauts de matières premières et de main d'oeuvre, sous réserve des exclusions décrites ci-dessous, pendant la période de garantie, à compter de la date la plus récente entre : (a) la date d'installation originale de votre Produit InSinkErator, (b) la date d'achat (ou de livraison si elle est postérieure) ou (c) la date de fabrication identifiée par le numéro de série de votre Produit InSinkErator. Vous devrez présenter une documentation écrite prouvant (a) ou (b). Si vous ne pouvez pas fournir un document prouvant (a) ou (b), la date de début de la Période de garantie sera déterminée par le Fabricant, à son entière discrétion, selon le numéro de série du Produit InSinkErator.

Ce qui est couvert

Cette garantie limitée couvre les défauts de matériaux ou de main d'oeuvre, sous réserve des exclusions ci-dessous, dans les Produits InSinkErator utilisés par un Client consommateur en vertu d'un usage résidentiel seulement et comprend toutes les pièces de rechange et les frais de main d'oeuvre. **VOTRE SEUL ET EXCLUSIF REMÈDE EN VERTU DE CETTE GARANTIE LIMITÉE SE LIMITE À LA RÉPARATION OU AU REMPLACEMENT DU PRODUIT INSINKERATOR, ENTENDU QUE, SI NOUS DÉTERMINONS À NOTRE ENTIÈRE DISCRÉTION, QU'AUCUN REMÈDE N'EST POSSIBLE, NOUS POUVONS VOUS PROPOSER LE REMBOURSEMENT DE VOTRE PRIX D'ACHAT OU UN CRÉDIT POUR L'ACHAT D'UN AUTRE PRODUIT INSINKERATOR.**

Ce qui n'est pas couvert

Cette garantie limitée ne couvre pas et exclut expressément :

- Les pertes ou les dommages ou l'incapacité à utiliser votre Produit InSinkErator en raison de conditions indépendantes de la volonté du Fabricant, y compris sans en exclure d'autres, les accidents, les altérations, les mauvaises utilisations, les abus, la négligence (autre que celle du Fabricant), le défaut d'installer, de maintenir, d'assembler ou de monter le Produit InSinkErator conformément aux directives du Fabricant ou aux codes locaux de plomberie ou d'électricité.
- L'usure devant se produire durant le cours normal de l'utilisation, y compris sans en exclure d'autres, la rouille cosmétique, les égratignures, les bosselures ou les pertes ou dommages similaires et raisonnablement prévus.

En plus des exclusions ci-dessus, cette garantie limitée ne s'applique pas aux Produits InSinkErator installés dans une application commerciale ou industrielle.

Aucune autre garantie expresse ne s'applique

Cette garantie limitée est la seule et unique garantie fournie au Client identifié ci-dessus. Aucune autre garantie expresse, écrite ou verbale ne s'applique. Aucun employé, agent, dépositaire ou autre personne n'est autorisé à modifier cette garantie limitée ou à effectuer toute autre garantie au nom du Fabricant. Les conditions de cette garantie limitée ne seront pas modifiées par le Fabricant, le propriétaire original ou leurs successeurs ou ayants droit respectifs.

Ce que nous ferons pour corriger les problème

Si votre Produit InSinkErator ne fonctionne pas conformément à la documentation qui vous est fournie ou si vous avez des questions concernant votre Produit InSinkErator ou sur la façon de déterminer s'il doit être réparé, veuillez appeler sans frais la ligne d'assistance AnswerLine® d'InSinkErator au 1 (800) 558-5700 ou visitez notre site Web à www.insinkerator.com. Vous pouvez aussi nous écrire à : Centre de service InSinkErator, 4700 21st Street, Racine, Wisconsin 53406 É.-U.

Les renseignements suivants doivent être fournis lors de votre réclamation au titre de la garantie : votre nom, adresse, numéro de téléphone, le numéro de série et modèle de votre Produit InSinkErator et si nécessaire, sur demande, une confirmation écrite de : (a) la date indiquée sur votre reçu d'installation ou (b) la date indiquée sur votre reçu d'achat.

Le Fabricant ou son représentant de service autorisé détermineront, à leur entière discrétion, si votre Produit InSinkErator est couvert en vertu de cette garantie limitée. On vous remettra les renseignements de contact de votre centre de service InSinkErator autorisé le plus proche. Veuillez communiquer avec votre centre de service InSinkErator directement pour obtenir une réparation de garantie à domicile ou un service de remplacement. Seul un représentant de service InSinkErator autorisé peut fournir le service de garantie. InSinkErator n'est pas responsable des réclamations de garantie découlant du travail effectué sur votre Produit InSinkErator par toute personne autre qu'un représentant de service InSinkErator autorisé.

Si une réclamation couverte est effectuée pendant la Période de garantie, le Fabricant, par l'entremise de son représentant de service autorisé, réparera ou remplacera votre Produit InSinkErator. Le coût des pièces de rechange ou d'un nouveau Produit InSinkErator et les frais de main d'oeuvre pour la réparation ou l'installation du Produit InSinkErator de rechange sont offerts gratuitement. La réparation ou le remplacement seront déterminés par le Fabricant ou son représentant de service autorisé à leur entière discrétion. Tous les services de réparation et de remplacement seront effectués à votre domicile. Si le Fabricant détermine que votre Produit InSinkErator doit être remplacé au lieu d'être réparé, la garantie limitée sur le Produit InSinkErator de rechange se limitera à la durée restante de la Période de garantie originale.

Ce broyeur est couvert par la garantie limitée du fabricant. Cette garantie limitée est nulle si vous tentez de réparer le Produit InSinkErator. Pour obtenir des renseignements sur le service, veuillez visiter www.insinkerator.com ou composez, sans frais, le 1-800-558-5700.

Limite de responsabilité

DANS LA MESURE PERMISE PAR LA LOI, LE FABRICANT OU SES REPRÉSENTANTS DE SERVICE AUTORISÉS SERONT DANS AUCUN CAS RESPONSABLES DES DOMMAGES CONSÉCUTIFS, SPÉCIAUX, INDIRECTS OU CORRÉLATIFS, Y COMPRIS TOUTE PERTE ÉCONOMIQUE, DÉCOULANT D'UNE NON PERFORMANCE, DE L'UTILISATION, DE LA MAUVAISE UTILISATION OU DE L'INCAPACITÉ À UTILISER LE PRODUIT INSINKERATOR OU DE LA NÉGLIGENCE DU FABRICANT OU DE SES REPRÉSENTANTS DE SERVICE AUTORISÉ. LE FABRICANT NE SERA PAS RESPONSABLE DES DOMMAGES CAUSÉS PAR UN DÉLAI DE PERFORMANCE ET LA RESPONSABILITÉ DU FABRICANT NE DÉPASSERA DANS AUCUN CAS, QUELLE QUE SOIT LA FORME DE LA RÉCLAMATION OU LA RAISON DE L'ACTION (FONDÉE SUR UN CONTRACT, UNE INFRACTION, LA NÉGLIGENCE, LA RESPONSABILITÉ STRICTE OU TOUT AUTRE TORT OU AUTREMENT), LE PRIX PAYÉ PAR LE PROPRIÉTAIRE ORIGINAL DU PRODUIT INSINKERATOR.

Le terme dommages « indirects » comprend, sans en exclure d'autres, la perte des profits anticipés, l'interruption commerciale, la perte d'utilisation ou de revenus, le coût du capital ou la perte ou les dommages aux biens ou à l'équipement.

Certaines provinces ne permettent pas l'exclusion ou la limite des dommages indirects ou corrélatifs, par conséquent, la limite ci-dessus peut ne pas s'appliquer à votre cas. Cette garantie limitée vous confère des droits légaux précis et vous pouvez aussi avoir d'autres droits qui peuvent varier d'un État ou d'une province à l'autre.



.....
 Environ 60-95 % des déchets alimentaires sont constitués d'eau. Une utilisation régulière du broyeur peut contribuer à détourner les déchets alimentaires des sites d'enfouissement et à réduire les émissions de gaz à effet de serre. Le broyeur est une solution écologique pour toute la famille. Après tout, même les petits changements peuvent avoir un grand impact.
 Pour les États-Unis www.insinkerator.com/green Pour le Canada www.insinkerator.ca

InSinkErator® se réserve le droit, à sa seule discrétion, d'apporter en tout temps des améliorations ou des modifications aux spécifications sans préavis ou obligation de sa part, ou de modifier ou de supprimer des modèles.

La configuration du collier de montage est une marque de commerce d'InSinkErator, LL